

Auto-draining shower kit with thermostatic mixer

Ref. H9630HYG

Thermostatic sequential mixer with no non-return valves

DESCRIPTION

Auto-draining shower kit with thermostatic mixer - Ref. H9630HYG

SECURITHERM thermostatic sequential shower kit with auto-draining device.

- Mixer with scale-resistant, thermostatic sequential cartridge: Thermostatic sequential mixer: opens and closes with cold water.

Mixer with no non-return valves on the inlets (reduces bacterial proliferation).

No risk of cross flow between hot and cold water.

Sequential mixer with anti-scalding failsafe: shuts off automatically if cold or hot water supply fails.

Securitouch thermal insulation prevents burns.

Temperature control from cold water up to 39°C with maximum temperature limiter set at 39°C.

Thermal shocks are possible.

Body with smooth interior and low water volume.

Flow rate regulated at 9 lpm.

Chrome plated brass body and Hygiene lever L. 100mm.

M1/2" bottom shower outlet.

Wall-mounted mixer with offset STOP/CHECK connectors, M1/2" M3/4".

Mixer ideal for healthcare facilities, retirement and care homes, hospitals and clinics.

- Shower head (ref. 813) with flexible shower hose (ref. 836T3) and adjustable, chrome-plated wall-mounted support (ref. 845).

- Auto-draining device FM1/2" for installation between the flexible hose and the shower head, automatically drains the shower head and flexible hose (reduces bacterial development) (ref. 880).

Suitable for people with reduced mobility.

30-year warranty.

TECHNICAL CHARACTERISTICS

Auto-draining shower kit with thermostatic mixer - Ref. H9630HYG

Connector	M1/2"
Technology	SECURITHERM single control, Securitouch
Depth	185mm
Length	184mm
Flow rate	9 lpm
Temperature limiter	39°C



ADVANTAGES



Sequential: opens/closes with cold water



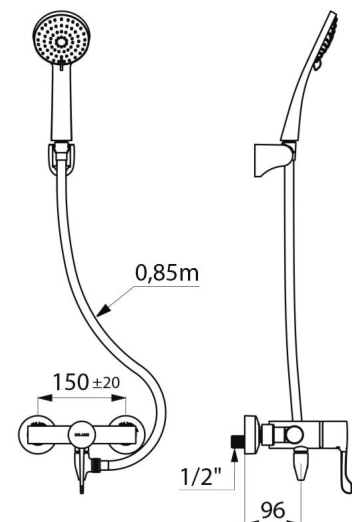
Maximum hygiene: no non-return valves





No non-return valve.



Opens and closes via single control lever



Finish	Chrome-plated brass
Norms	ACS 
Warranty	
Repairability	