

# Shower kit with thermostatic mixer

Ref. H9630KIT

Riser kit with thermostatic mixer with no non-return valves

## DESCRIPTION


### Shower kit with thermostatic mixer - Ref. H9630KIT

Shower riser kit with thermostatic sequential mixer.  
 Shower riser rail with SECURITHERM thermostatic shower mixer.  
 Thermostatic sequential mixer: opens and closes with cold water.  
 Mixer with no non-return valves on the inlets (reduces bacterial proliferation).  
 No risk of cross flow between hot and cold water.  
 Sequential mixer with anti-scalding failsafe: shuts off automatically if cold or hot water supply fails.  
 Securitouch thermal insulation prevents burns.  
 Scale-resistant, thermostatic sequential cartridge:  
 Temperature control from cold water up to 39°C with maximum temperature limiter set at 39°C.  
 Thermal shocks are possible.  
 Body with smooth interior and low water volume.  
 Flow rate regulated at 9 lpm.  
 Chrome plated brass body and Hygiene lever L. 100mm.  
 M1/2" bottom shower outlet.  
 Wall-mounted mixer with offset STOP/CHECK connectors, M1/2" M3/4".  
 Mixer ideal for healthcare facilities, retirement and care homes, hospitals and clinics

- Sliding shower head holder (ref. 813) on a chrome-plated riser rail (ref. 821) with soap dish and flexible shower hose (ref. 836T1).
- Shower head retaining collar (ref. 830). Suitable for people with reduced mobility. 30-year warranty.





## TECHNICAL CHARACTERISTICS

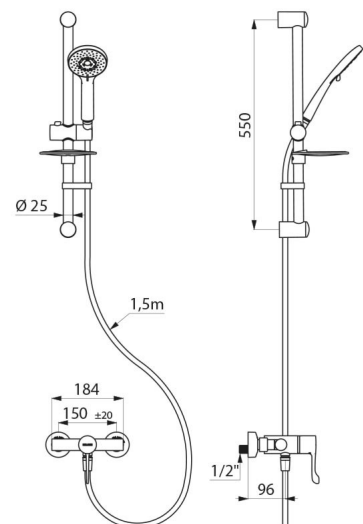
### Shower kit with thermostatic mixer - Ref. H9630KIT

Connector	M1/2"
Technology	SECURITHERM single control, Securitouch
Depth	185mm
Length	184mm
Flow rate	9 lpm
Temperature limiter	39°C
Finish	Chrome-plated brass
Norms	ACS 



## ADVANTAGES

-  Sequential: opens/closes with cold water
-  Maximum hygiene: no non-return valves
-  SECURITHERM: optimal anti-scalding safety
-  Thermostatic: complete temperature stability



---

Warranty



---

Repairability

