

SECURITHERM securitouch thermostatic auto-drain shower kit

Ref. H9739HYG

Dual control thermostatic mixer

DESCRIPTION

SECURITHERM securitouch thermostatic auto-drain shower kit - Ref. H9739HYG

SECURITHERM dual control thermostatic shower kit with auto-draining device:

- Shower mixer with scale-resistant, thermostatic cartridge:
- Mixer with anti-scalding safety: shuts off automatically if cold water supply fails.

Prevents cold showers: shuts off automatically if hot water supply fails.

Scale-resistant thermostatic cartridge adjusts the temperature.

1/4-turn ceramic head for flow rate adjustment.

Temperature control from 25 - 40°C with maximum temperature limiter set at 38°C.

Thermal shocks are possible without removing the control knob or shutting off the cold water supply.

Flow rate regulated at 9 lpm.

Chrome-plated body with CLASSIC controls.

M1/2" shower outlet.

F3/4" inlets with integrated filters and non-return valves.

Mixer with offset STOP/CHECK wall connectors, M1/2" M3/4".

- Shower head (ref. 813) with wall-mounted tilting support (ref. 845).
- Auto-draining device FM1/2" for installation between the flexible hose and the shower head, automatically drains the shower head and flexible hose (reduces bacterial development) (ref. 880).

Mixer ideal for healthcare facilities, retirement and care homes, hospitals and clinics.

Suitable for people with reduced mobility.

Shower mixer with 30-year warranty.

TECHNICAL CHARACTERISTICS

SECURITHERM securitouch thermostatic auto-drain shower kit - Ref. H9739HYG

| | |
|---------------------|--------------------------------|
| Connector | M1/2" |
| Technology | SECURITHERM thermostatic mixer |
| Height | 86mm |
| Depth | 81mm |
| Width | 280mm |
| Flow rate | 9 lpm |
| Temperature limiter | 38°C |
| Finish | Chrome-plated brass |



ADVANTAGES



SECURITHERM: Optimum anti-scalding safety



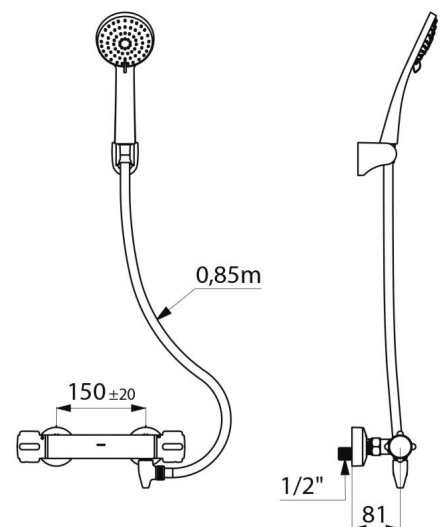
Pre-set maximum temperature limiter



Automatically drains shower head and flexible hose



Thermostatic: total temperature stability



Norms



Warranty

