

Thermostatic SECURITHERM securitouch auto-drain shower kit.

Ref. H9741KIT

Thermostatic shower kit with H971 mixer

DESCRIPTION

Thermostatic SECURITHERM securitouch auto-drain shower kit. - Ref. H9741KIT

Riser rail with dual control thermostatic mixer.
 Shower kit with SECURITHERM thermostatic shower mixer.
 Mixer with anti-scalding failsafe: shuts off automatically if cold water supply fails.
 Prevents cold showers: shuts off automatically if hot water supply fails.
 Securitouch thermal insulation prevents burns.
 Scale-resistant thermostatic cartridge adjusts the temperature.
 ¼-turn ceramic head for flow rate adjustment.
 Temperature control from 25 - 41°C.
 Double temperature limiter: 1st limiter set at 38°C can be overridden, 2nd limiter set at 41°C.
 Thermal shocks are possible without removing the control knob or shutting off the cold water supply.
 Flow rate regulated at 9 lpm.
 Chrome-plated brass body with ERGO control knobs.
 M1/2" shower outlet.
 F3/4" inlets with integrated filters and non-return valves.
 Mixer with 2 offset STOP/CHECK wall connectors, M1/2" M3/4".

- Sliding shower head holder (ref. 813) on a chrome-plated riser rail (ref. 821) with soap dish and flexible shower hose (ref. 836T1).
- Shower hose retaining collar (ref. 830).

Mixer ideal for healthcare facilities, retirement and care homes, hospitals and clinics.
 Thermostatic mixer suitable for people with reduced mobility.
 Shower kit with 30-year warranty.





TECHNICAL CHARACTERISTICS

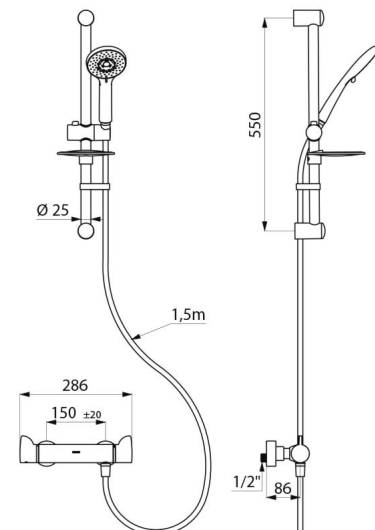
Thermostatic SECURITHERM securitouch auto-drain shower kit. - Ref. H9741KIT

Connector	M1/2"
Technology	SECURITHERM Securitouch thermostatic mixer
Depth	92mm
Length	286mm
Flow rate	9 lpm
Temperature limiter	Yes
Finish	Chrome-plated brass



ADVANTAGES

-  SECURITHERM: Optimum anti-scalding safety
-  Double maximum temperature limiter
-  Securitouch thermal insulation prevents burns
-  Thermostatic: total temperature stability



Norms



Warranty



Repairability

