

SECURITHERM shower panel

Ref. H9636

Thermostatic shower panel with mixer with no non-return valves

DESCRIPTION

SECURITHERM shower panel - Ref. H9636

SECURITHERM shower panel made from anodised aluminium for wall-mounted exposed installation:

SECURITHERM sequential thermostatic shower mixer.

Thermostatic sequential mixer: opens and closes with cold water.

Mixer without non-return valves (reduces bacterial proliferation).

No risk of cross flow between the hot and cold water. Sequential mixer with anti-scalding failsafe: shuts off automatically if cold water supply fails.

Cold water failsafe prevents cold showers: shuts off automatically if hot water supply fails.

Adjustable temperature control from cold water up to 39°C. Maximum temperature limiter set at 39°C, can be adjusted.

Thermal shocks are possible.

Flow rate 9 lpm at 3 bar.

Sliding handset on a chrome-plated riser rail with removable flexible hose via rapid push-fit STOP connector.

Hygiene control lever L. 100mm.

Top inlets with M1/2" stopcocks.

Concealed fixings.

Filters.



Shower panel ideal for healthcare facilities, retirement and care homes, hospitals and clinics.

Suitable for people with reduced mobility.

Shower panel with 30-year warranty.

TECHNICAL CHARACTERISTICS

SECURITHERM shower panel - Ref. H9636

Supply	Top inlets with M1/2" inline stopcocks
Connector	M1/2"
Technology	Sequential thermostatic shower mixer
Height	1045mm
Width	210mm
Flow rate	9 lpm
Temperature limiter	Yes
Finish	Aluminium
Norms	ACS  



ADVANTAGES



SECURITHERM: Optimum anti-scalding safety



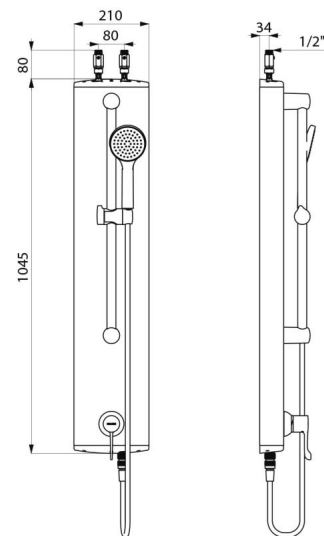
Maximum hygiene: no non-return valves



Thermostatic: total temperature stability



Sequential: opens/closes with cold water



Warranty



Repairability

