

# SECURITHERM Securitouch autodraining thermostatic shower kit

Ref. H9769HYG

SECURITHERM Securitouch auto-draining thermostatic shower kit

## DESCRIPTION

**SECURITHERM Securitouch autodraining thermostatic shower kit - Ref. H9769HYG**

SECURITHERM dual control thermostatic shower kit with auto-draining device:

- Shower mixer with scale-resistant thermostatic cartridge:  
No risk of cross flow between the hot and cold water supplies.
  - Thermostatic mixer with no non-return valves (less bacterial proliferation).
  - Mixer with anti-scalding failsafe: shuts off automatically if cold water supply fails.
  - Prevents cold showers: shuts off automatically if hot water supply fails.
  - Securitouch thermal insulation prevents burns.
  - Scale-resistant thermostatic cartridge for temperature adjustment.
  - ¼-turn ceramic head for flow rate adjustment.
  - Temperature control up to 43°C.
  - Double temperature limiter: 1st limiter set at 41°C, 2nd limiter set at 43°C.
  - Thermal shocks are possible without removing the control knob or shutting off the cold water supply.
  - Flow rate limited to 9 lpm at 3 bar.
  - Ergonomic controls.
  - M½" shower outlet.
  - F¾" inlets with integrated filters.
  - Mixer with 2 offset STOP/CHECK wall connectors M½" M¾", ideal for hospitals.
  - Shower head (ref. 813) and adjustable, wall-mounted, chrome-plated support (ref. 845).
  - Auto-draining device FM½" fits between the mixer outlet and the flexible hose, automatically drains the flexible and the shower head (ref. 880).
- Mixer ideal for healthcare facilities, retirement and care homes, hospitals and clinics.  
Mixer suitable for people with reduced mobility.  
Mixer with 30-year warranty.  
30-year warranty.





## TECHNICAL CHARACTERISTICS

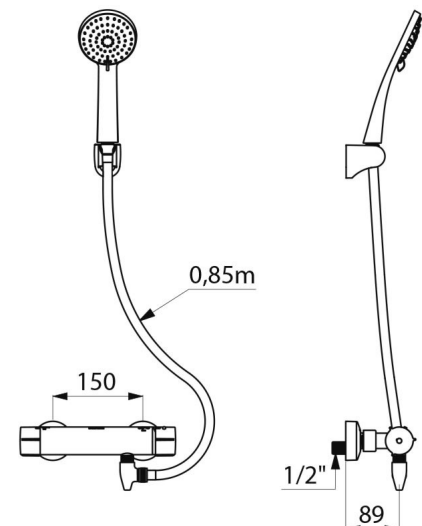
**SECURITHERM Securitouch autodraining thermostatic shower kit - Ref. H9769HYG**

|                     |  |
|---------------------|--|
| Connector           | M1/2"  |
| Technology          | SECURITHERM Securitouch thermostatic mixer, no non-return valves |
| Depth               | 95 mm  |
| Length              | 260mm  |
| Flow rate           | 9 lpm at 3 bar   |
| Temperature limiter | Yes  |



## ADVANTAGES

-  SECURITHERM: Anti-scalding safety
-  Maximum hygiene: no non-return valves
-  Securitouch thermal insulation prevents burns
-  Thermostatic: total temperature stability



---

|        |                     |
|--------|---------------------|
| Finish | Chrome-plated brass |
|--------|---------------------|

---

|       |   |
|-------|---|
| Norms | ACS  |
|-------|---|

---

|          |   |
|----------|---|
| Warranty |  |
|----------|---|

---