

# TEMPOMATIC tap with BIOCLIP spout



Ref. 20804T2

Electronic wall-mounted tap with stainless steel spout



## DESCRIPTION

**TEMPOMATIC tap with BIOCLIP spout - Ref. 20804T2**

Wall-mounted electronic basin tap for mounting on panels.  
 Electronic tap with BIOCLIP removable spout  
 Infrared tap supplied with 2 removable BIOCLIP stainless steel spouts L. 77mm.  
 Independent IP65 electronic control unit.  
 230/12V mains supply with transformer.  
 Base and spout with smooth interiors (reduces bacterial development).  
 Adjustable duty flush (pre-set at ~60 seconds every 24 hours after last use).  
 Flow rate limited to 4 lpm at 3 bar.  
 Shock-resistant infrared presence detection sensor.  
 Separate sensor for mounting on panels.  
 M3/8" solenoid valve with integrated filter.  
 Ø 60mm chrome-plated brass base.  
 Anti-blocking security.  
 Recommended installation height: 110 - 200mm above the basin surface.  
 Electronic tap suitable for use in healthcare facilities, retirement and care homes, hospitals and clinics.  
 Electronic tap suitable for people with reduced mobility.  
 30-year warranty.  
 Two shut-off options:  
 - standard mode: timed flow with automatic shut-off.  
 - ON/OFF mode: user shuts off flow voluntarily or automatic shut-off after 30 minutes of flow.  
 Thermal shocks are possible.  
 Mount the sensor beside the tap in the ON/OFF mode.

## ADVANTAGES



Automatic duty flush limits bacterial development



Hygiene: spout can be removed and descaled inside








Hygiene: smooth interior reduces bacteria

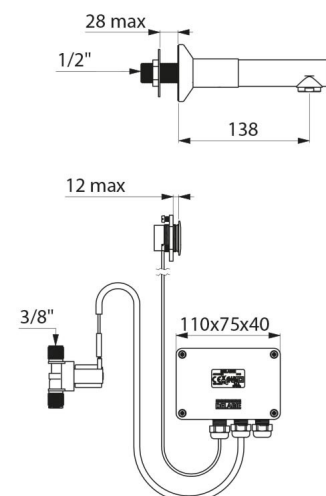


No manual contact: infrared sensor

## TECHNICAL CHARACTERISTICS

**TEMPOMATIC tap with BIOCLIP spout - Ref. 20804T2**

Connector	3/8"
Technology	Wall-mounted electronic tap
Depth	190mm
Length	129mm
Spout length	188mm
Flow rate	4 lpm at 3 bar
Finish	Chrome-plated brass
Norms	ACS CE    
Warranty	



---

Repairability

