

# SECURITHERM EP BIOSAFE pressure-balancing basin mixer

Ref. 26216EP

Single hole mechanical mixer with no spout H. 95mm L. 110mm

## DESCRIPTION

**SECURITHERM EP BIOSAFE pressure-balancing basin mixer - Ref. 26216EP**

Deck-mounted mechanical basin mixer with pressure-balancing. Single hole mechanical mixer H. 95mm L. 110mm. No spout: hygienic flow straightener integrated into the body. Ø 35mm ceramic cartridge with pressure-balancing and pre-set maximum temperature limiter. Anti-scalding safety: HW flow rate is reduced if CW supply fails (and vice versa). Stable temperature regardless of pressure and flow rate variations in the system. Securitouch thermal insulation prevents burns. Thermal shocks are possible without removing the control lever or shutting off the cold water supply. Mixer body with smooth interior and very low water volume (reduces bacterial development). Flow rate limited to 4 lpm at 3 bar. Solid control lever. With no pop-up waste. Mixer with copper tails and Ø 15mm stopcocks. Fixing reinforced via two stainless steel rods. Mechanical mixer with SECURITHERM pressure-balancing ideal for healthcare facilities, retirement and care homes, hospitals and clinics. Single hole mixer suitable for people with reduced mobility. Mixer with 30-year warranty. Also available with PEX flexibles.





## TECHNICAL CHARACTERISTICS

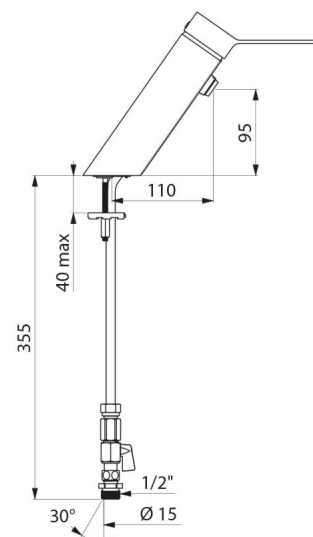
**SECURITHERM EP BIOSAFE pressure-balancing basin mixer - Ref. 26216EP**

|                     |   |
|---------------------|---|
| Connector           | 1/2"                                    |
| Technology          | SECURITHERM EP BIOSAFE mechanical mixer |
| Height              | 180mm                                   |
| Length              | 220mm                                   |
| Drop height         | 95mm                                    |
| Spout length        | 110mm                                   |
| Flow rate           | 4 lpm at 3 bar                          |
| Temperature limiter | Yes                                     |



## ADVANTAGES

-  HW flow rate reduced if CW fails
-  Maximum hygiene: mixer with no spout
-  Thermal shocks are possible without removing lever
-  Hygiene: mixer body with very low water volume





---

Norms



---

Warranty



---

Repairability

