

# Recessed thermostatic sequential shower mixer

Ref. H9631

SECURITHERM mixer with no non-return valves, kit 2/2



## DESCRIPTION

### Recessed thermostatic sequential shower mixer - Ref. H9631

SECURITHERM recessed thermostatic shower mixer, kit 2/2 :  
Thermostatic sequential shower mixer: opens/closes with cold water.  
Mixer with no non-return valves on the inlets (reduces bacterial development).

No risk of cross flow between the hot and cold water.  
Sequential mixer with anti-scalding failsafe: shuts off immediately if cold water supply fails.

Prevents cold showers: shuts off immediately if hot water supply fails.  
Sequential mixer with Securitouch thermal insulation prevents burns.

Scale-resistant thermostatic sequential cartridge for adjusting flow rate and temperature.

Temperature control from cold water up to 39°C with maximum temperature limiter set at 39°C.

Thermal shocks are possible.

Flow rate regulated at 9 lpm (mixer only), 6 lpm at 3 bar with shower head.

ERGO controls.

M $\frac{3}{4}$ " inlets with integrated filters.

Order a wall-mounted outlet or shower head to complete.

Bright polished stainless steel cover plate 166 x 166mm.

Mixer ideal for healthcare facilities, retirement and care homes, hospitals and clinics.




Sequential mixer ideal for people with reduced mobility.

Shower mixer with 30-year warranty.

Order with waterproof recessing housing ref. H96BOX.

## TECHNICAL CHARACTERISTICS

### Recessed thermostatic sequential shower mixer - Ref. H9631

Technology	SECURITHERM Securitouch thermostatic sequential shower mixer
Height	166mm
Width	166mm
Flow rate	Flow rate regulated at 9 lpm (mixer only), 6 lpm at 3 bar with shower head
Temperature limiter	Yes
Finish	Chrome-plated brass
Norms	ACS  
Warranty	

## ADVANTAGES



Sequential: opens/closes with cold water



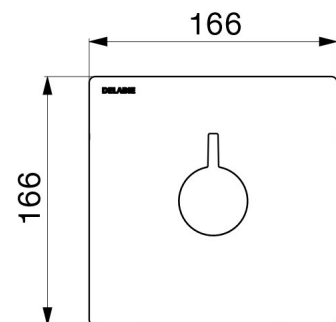
Maximum hygiene: no non-return valves



SECURITHERM: optimal anti-scalding safety



Thermostatic: total temperature stability



---

Repairability

