

## SECURITHERM EP pressure-balancing sink mixer

Ref. 2565T3EP

Tall, single hole, single control mixer with EP cartridge

2024 UK public price excluding VAT: £294.53

### DESCRIPTION

SECURITHERM EP pressure-balancing sink mixer - Ref. 2565T3EP

Deck-mounted sink mixer with SECURITHERM pressure-balancing. Single hole, single control mixer with fixed spout H. 305mm L. 140mm. Tall mixer with hygienic outlet suitable for fitting a BIOFIL point-of-use filter. Total anti-scalding safety: HW flow rate is reduced if CW supply fails (and vice versa).

Stable temperature regardless of pressure and flow rate variations in the system.

Ø 35mm ceramic pressure-balancing cartridge with pre-set maximum temperature limiter.

Body and spout with smooth interiors (reduces bacterial development).

Thermal shocks are possible without removing the control lever or shutting off the cold water supply.

Flow rate limited to 9 lpm at 3 bar.

Body and base made from chrome-plated brass.

Hygiene control lever L. 185mm requires no manual contact.

F3/8" PEX flexibles with filters and non-return valves.

Reinforced fixings via 2 stainless steel rods.

Mechanical mixer with pressure-balancing ideal for for healthcare facilities, retirement and care homes, hospitals and clinics.

Single hole mixer suitable for people with reduced mobility.

Mixer with 30-year warranty.

### TECHNICAL CHARACTERISTICS

SECURITHERM EP pressure-balancing sink mixer - Ref. 2565T3EP

Connector	F3/8"
Technology	SECURITHERM EP mixer
Height	431mm
Drop height	305mm
Spout length	140mm
Flow rate	9 lpm at 3 bar
Temperature limiter	Yes
Finish	Chrome-plated brass
Norms	ACS WRAS
Warranty	30 YEAR WARRANTY



### ADVANTAGES



EP: HW flow rate reduced if CW fails



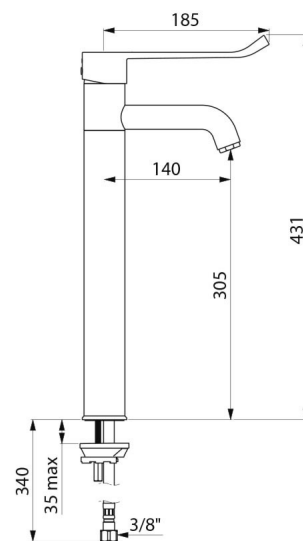
EP: reduces pressure variations



Thermal shock without removing the control lever



Hygiene: smooth interior reduces bacteria



---

Repairability

