

# Auto-draining shower kit with mechanical pressure-balancing (EP) mixer

Ref. 2739EPHYG

Shower kit with wall-mounted single control mixer

2025 UK public price excluding VAT: £416.66

## DESCRIPTION

**Auto-draining shower kit with mechanical pressure-balancing (EP) mixer - Ref. 2739EPHYG**

Shower kit with wall-mounted single control mechanical mixer. SECURITHERM shower kit with pressure-balancing and auto-draining device:

- Wall-mounted single control mixer with Securitouch thermal insulation to prevent burns.
- Ø 40mm pressure-balancing (EP) ceramic cartridge with pre-set maximum temperature limiter.
- Anti-scalding safety: HW flow is reduced if CW supply fails (and vice versa). Constant temperature regardless of pressure or flow rate variations in the system.
- Body with smooth interior and low water volume.
- Flow rate regulated at 9 lpm.
- Chrome-plated brass body and sculptured control lever.
- M1/2" shower outlet with integrated non-return valve.
- Mixer with offset STOP/CHECK wall connectors, M1/2" M3/4".
- Filters and non-return valves.
- Chrome-plated shower head (ref. 813) flexible shower hose (836T3) and chrome-plated, adjustable, wall-mounted support (ref. 845).
- Auto-draining device FM1/2" for installation between the flexible hose and the shower head, automatically drains the shower head and flexible hose (ref. 880).

Mixer is ideal for healthcare facilities, retirement homes, hospitals and clinics. Mixer is suitable for people with reduced mobility. Shower mixer with 30-year warranty.





## TECHNICAL CHARACTERISTICS

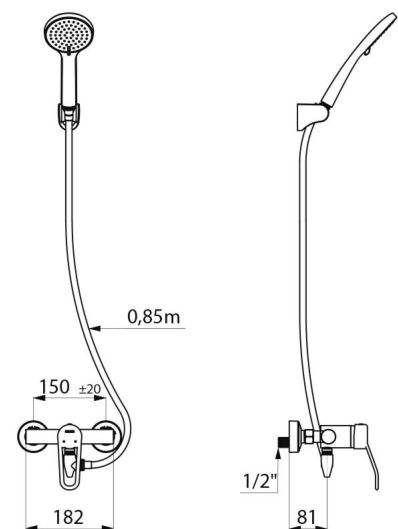
**Auto-draining shower kit with mechanical pressure-balancing (EP) mixer - Ref. 2739EPHYG**

|                     |                                 |
|---------------------|---------------------------------|
| Connector           | M1/2"                           |
| Technology          | SECURITHERM EP mechanical mixer |
| Height              | 188mm                           |
| Depth               | 182mm                           |
| Width               | 182mm                           |
| Flow rate           | 9 lpm                           |
| Temperature limiter | Yes                             |
| Finish              | Chrome-plated brass             |



## ADVANTAGES

-  HW flow rate reduced if CW fails
-  Pressure-balancing: reduces temperature variations
-  Securitouch thermal insulation prevents burns
-  Maximum hygiene: low water volume



---

Norms



---

Warranty



---

Repairability

