

# SECURITHERM thermostatic sink mixer

Ref. H9612

Single hole thermostatic mixer with retracting hand spray

**2024 UK public price excluding VAT: £488.36**

## DESCRIPTION

**SECURITHERM thermostatic sink mixer - Ref. H9612**

Deck-mounted SECURITHERM thermostatic basin mixer, ideal for baby baths.

Sequential thermostatic mixer: opens and closes with cold water.

No risk of cross flow between the hot and cold water.

No non-return valves on the inlets.

Anti-scalding failsafe: immediate shut-off if cold or hot water supply fails.

Securitouch thermal insulation prevents burns.

Single hole mixer with swivelling outlet H. 105mm L. 200mm.

Sequential mixer with retracting hand spray with 2 jet options: flow straightener/rain effect.

Scale-resistant sequential thermostatic cartridge for sequential control of the flow rate and temperature.

Temperature control from cold water up to 40°C with maximum temperature limiter set at 40°C.

Body with smooth interior.

Flow rate regulated at 3 lpm.

No manual contact thanks to Hygiene control lever L. 100mm.

BIOSAFE flexible shower hose reduces bacterial proliferation: transparent polyurethane, smooth interior and exterior.

Flexible with narrow interior Ø 6mm: low water volume.

Specific counterweight.

PEX flexibles F3/8".

Fixing reinforced by 2 stainless steel rods.


Thermostatic mixer ideal for healthcare facilities, retirement and care homes, hospitals and clinics.

Mixer suitable for people with reduced mobility.

30-year warranty.

## TECHNICAL CHARACTERISTICS

**SECURITHERM thermostatic sink mixer - Ref. H9612**

Connector	F3/8"
Technology	SECURITHERM Securitouch sequential mixer
Drop height	105mm
Spout length	200mm
Flow rate	3 lpm
Temperature limiter	Yes
Finish	Chrome-plated brass
Norms	ACS  



## ADVANTAGES



Sequential: opens/closes with cold water



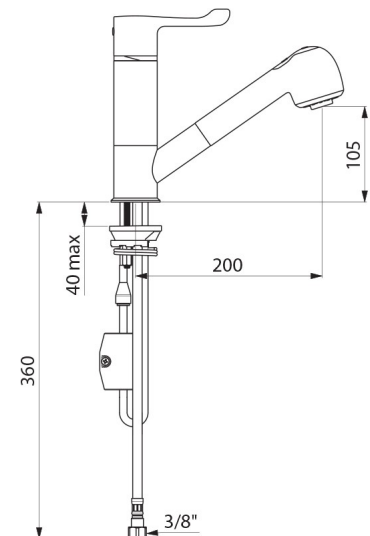
Hygiene: no non-return valves



SECURITHERM: Optimal anti-scalding safety



Hygiene: transparent flexible with smooth interior



---

Warranty



---

Repairability

