

Pressure-balancing mixer set and column with retracting hand spray

Ref. 2599EP

EP sink mixer with retractable hand spray

2025 UK public price excluding VAT: £376.77

DESCRIPTION

Pressure-balancing mixer set and column with retracting hand spray - Ref. 2599EP

Sink mixer with hand spray and column with retractable hand spray. Single hole mixer with pressure-balancing and column suitable for baby baths. Swivelling column H. 195mm L. 215mm. With retracting hand spray with two jet options (flow straightener/rain effect). Ø 35mm pressure-balancing ceramic cartridge with pre-set maximum temperature limiter. Total anti-scalding safety: HW flow rate is reduced if CW supply fails (and vice versa). Stable temperature regardless of variations in pressure and flow rate in the system. Securitouch thermal insulation prevents burns. Single hole mixer body and column with smooth interior. Flow rate limited to 7 lpm at 3 bar. Sculptured control lever. BIOSAFE flexible hose reduces the spread of germs: transparent polyurethane flexible hose ensures replacement if biofilm is present, smooth interior and exterior. Flexible hose with narrow diameter (internal Ø 6mm): low water volume. Specific counterweight. Body in chrome-plated brass. F³/₈" PEX flexibles. SECURITHERM pressure-balancing mechanical mixer with hand spray, ideal for healthcare facilities, retirement and care homes, hospitals and clinics. single hole mixer suitable for people with reduced mobility. Single control mixer with 30-year warranty.

TECHNICAL CHARACTERISTICS

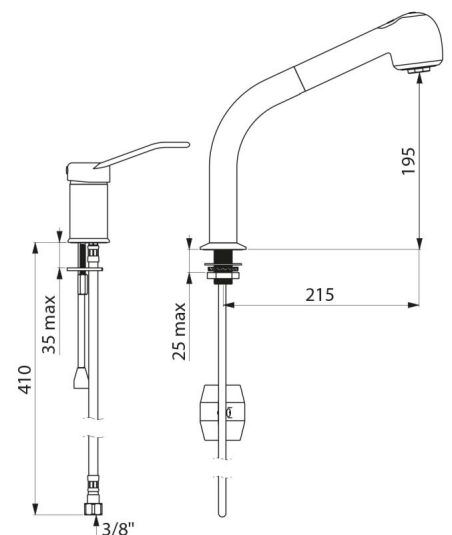
Pressure-balancing mixer set and column with retracting hand spray - Ref. 2599EP

Connector	F3/8"
Technology	SECURITHERM EP
Drop height	195mm
Spout length	215mm
Flow rate	7 lpm at 3 bar
Temperature limiter	YES
Finish	Chrome-plated brass



ADVANTAGES

- HW flow rate reduced if CW fails
- Hygiene: transparent hose with smooth interior
- Ergonomic: Solid control lever is easy to grip
- Comfort: retractable hand spray mixer with 2 jet



Norms



Warranty



Repairability

