

SECURITHERM sequential thermostatic basin mixer

Ref. H9601

Single hole sequential thermostatic mixer H. 95mm L. 120mm

2024 UK public price excluding VAT: £448.30

DESCRIPTION

SECURITHERM sequential thermostatic basin mixer - Ref. H9601

Deck-mounted SECURITHERM thermostatic basin mixer. Thermostatic sequential mixer: opens and closes with cold water. No risk of cross flow between the hot and cold water. No non-return valves on the inlets. Single hole mixer with curved spout H. 95mm L. 120mm fitted with a hygienic flow straightener for no impurity retention and thermal shock-resistant. Anti-scalding failsafe: shuts off automatically if the cold or hot water supply fails. Securitouch thermal insulation prevents burns. Scale-resistant sequential thermostatic cartridge for single lever control of flow rate and temperature. Temperature can be adjusted from cold water up to 40°C with temperature limiter set at 40°C. Thermal or chemical shocks are possible. Body and spout with smooth interiors and low water volume. Flow rate limited to 5 lpm at 3 bar. No manual contact thanks to Hygiene control lever L. 146mm. Ergonomic brass pop-up waste 1 1/4". Supplied with PEX flexibles F3/8" with chrome-plated brass stopcocks. Fixing reinforced via 2 stainless steel rods. Thermostatic mixer ideal for healthcare facilities, retirement and care homes, hospitals and clinics. Suitable for people with reduced mobility. 30-year warranty. Also available with copper tails.

TECHNICAL CHARACTERISTICS





SECURITHERM sequential thermostatic basin mixer - Ref. H9601

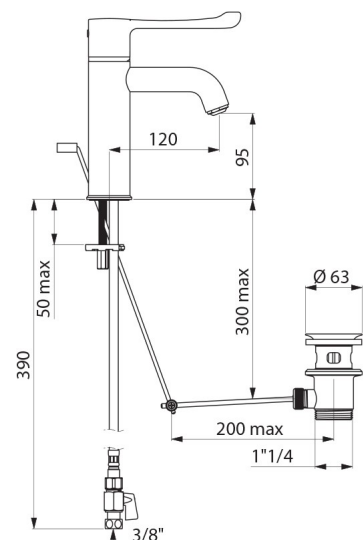
Connector	F3/8"
Technology	Sequential thermostatic mixer
Drop height	95mm
Spout length	120mm
Flow rate	5 lpm at 3 bar
Temperature limiter	Yes
Finish	Chrome-plated brass
Norms	ACS

Warranty



ADVANTAGES

-  Sequential: opens/closes with cold water
-  Maximum hygiene: no non-return valves
-  SECURITHERM: optimal anti-scalding safety
-  Securitouch: thermal insulation prevents burns



Repairability

