

DELABIE



STAINLESS STEEL SANITARY WARE

2025/2026

DELABIE

UK RECOMMENDED PRICE EXCL. VAT
FROM 01/01/2025 TO 31/12/2025
These prices may be subject to change

CONTACTS

HEAD OFFICE & PRODUCTION SITE

18, rue du Maréchal Foch
80130 Friville
FRANCE

UK OFFICE

Henderson House
Hithercroft Road
Wallingford
Oxon
OX10 9DG

delabie.co.uk

Please contact our Sales Team for details of your local Sales Representative (13 Area Sales Managers cover the UK market).

SALES

Tel. 01491 824449
orders@delabie.co.uk

QUOTES & PROJECTS

Tel. 01491 821822
quotes@delabie.co.uk

TECHNICAL SUPPORT

Tel. 01491 821821
technical@delabie.co.uk



Certification
ISO 9001: 2015
quality management
systems

ACS

Certificate of Sanitary Conformity.
All DELABIE products conform to the DWD* directive, the modified directive of 29/05/1997, the directive of 25/06/2020 and the French Ministry of Health circular DGS/SD7A2002 no. 571 dated 25/11/2002.

* EU Drinking Water Directive.

NEW

DELABIE's commitment!

30 YEAR
WARRANTY

DELABIE PRODUCTS HAVE A 30-YEAR WARRANTY!

DELABIE products are designed to last for as long as possible.

The quality of our products is such that we have no hesitation in **guaranteeing our products for 30 years***.

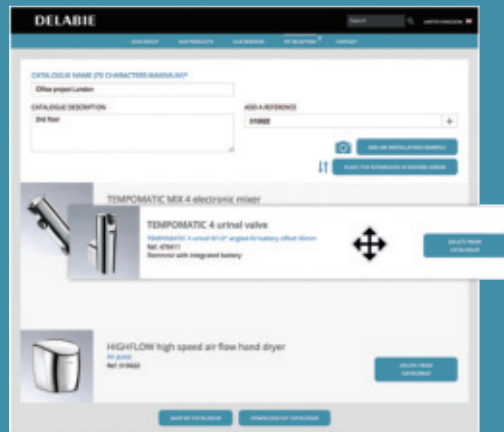
50 YEARS
REPAIRABILITY

DELABIE PRODUCTS CAN BE REPAIRED FOR 50 YEARS!

We will keep **spare parts for our products for 50 years*** to facilitate any necessary repairs.

DELABIE is helping to minimise your costs and prolong product lifespans, thereby reducing your ecological footprint.

* See Terms and Conditions of Sales

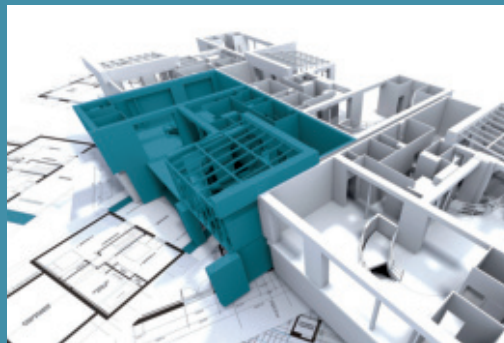


DELABIE.CO.UK AVAILABLE FEATURES

Create your own catalogue using your own product selection.

You can **personalise** it by giving it a project name and description, by choosing the order for the products to appear and by adding lifestyle images.

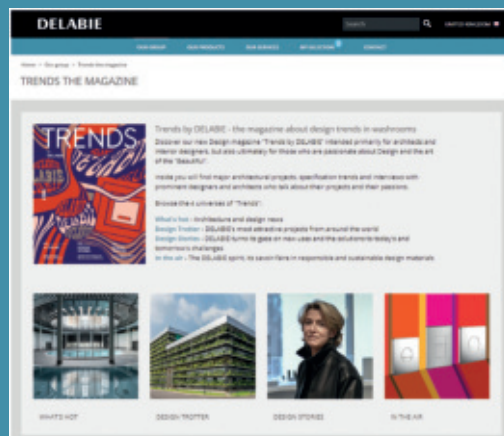
This catalogue will then be available in **Word, PDF and Excel** formats.



BIM: DELABIE'S CORE PRODUCTS ARE NOW AVAILABLE

To meet the requirements of BIM technology, DELABIE has modelled its core products.

BIM files can be downloaded via the relevant product data sheet or via datashare.



TRENDS THE MAGAZINE: THE DESIGN TRENDS TAB

Browse the "Trends by DELABIE" magazine intended for those who are passionate about Design and the art of the "Beautiful".

Discover the 4 universes of "Trends" with major international projects, specification trends as well as interviews with prominent designers and architects who talk about their projects and their passions.

DELABIE

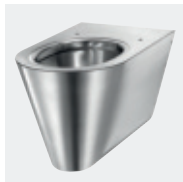


WASHBASINS.....	5
WC PANS - WC PANS WITH CISTERNS.....	11
URINALS.....	13

BLACK MAGIC
RANGE
3



INDIVIDUAL WASHBASINS.....	17
MULTIPLE WASHBASINS.....	33



WC PANS - WC PANS WITH CISTERNS.....	41
TOILET SEATS.....	47

DESIGN
RANGE
15



INDIVIDUAL URINALS.....	51
URINAL DIVIDERS.....	54
TROUGH URINALS.....	56
VALVE RECOMMENDATIONS FOR URINALS.....	59



SHOWER TRAYS.....	62
-------------------	----



PROFESSIONAL HAND WASHBASINS.....	67
DRINKING FOUNTAINS.....	71
SURGICAL SCRUB UP TROUGHES.....	73
DISPOSAL SINKS.....	75
ACCESSIBILITY SOLUTIONS.....	78

HOSPITAL AND
PROFESSIONAL
RANGE
65



WASHBASINS.....	84
WASHBASINS WITH INTEGRATED TAPS.....	86
WC PANS - SQUAT WC PANS.....	88
WASHBASIN AND WC COMBINATIONS.....	91
URINALS.....	94

SECURE SECTOR
RANGE
83



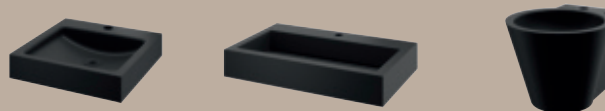
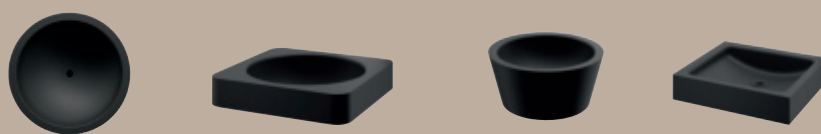
PUBLIC AND COMMERCIAL SOLUTIONS - INSPIRATION.....	98
CERTIFICATION.....	106
MAINTENANCE AND INSTALLATION ADVICE.....	106
REFERENCE INDEX.....	108

ADVICE
INDEX
97



Black Magic

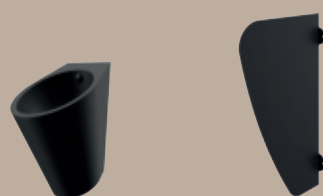
WASHBASINS
5



WC PANS
11



URINALS
13





Matte black HEMI round inset washbasin **120490BK** - BLACK BINOPTIC electronic tap **378035** - Matte black electronic soap dispenser **512066BK**



- **Teflon® or PTFE finish:** withstands intensive use, withstands chemical products and is easy to clean
- **Design:** black is forever in fashion, a sure bet that is timeless, brings style to washrooms
- **Go all black:** perfectly matches with BLACK BINOPTIC taps and matte black finish hygienic accessories

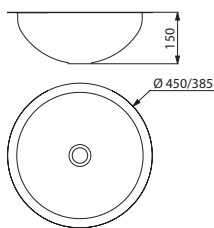
HEMI Ø 385 washbasin

For recessed installation from above or below



- Round basin for recessed installation from above or below.
- Basin internal diameter: 385mm.
- Cut-out basin diameter:
400mm for installation from above,
380mm for installation from below.
- Bacteriostatic 304 stainless steel.
- Stainless steel thickness: 0.8mm.
- Matte black Teflon® finish.
- One-piece, seam-free pressed bowl.
- Rounded edges prevent injury.
- Supplied without waste. Waste with black finish can be added (6110BK) or chrome finish (6110).
- Without overflow.
- CE marked. Complies with European standard EN 14688.
- Weight: 1.6kg.
- 30-year warranty.

For taps see the DELABIE catalogue "Water Controls for Public and Commercial Places" (DOC 609UK).

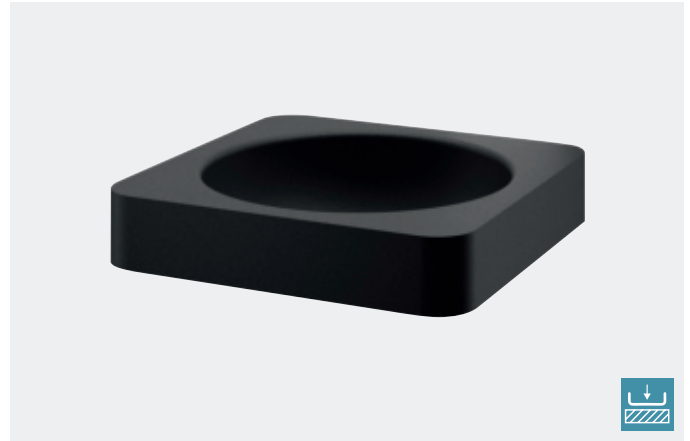


120490BK

HEMI inset washbasin Ø 385mm from above or below			
Matte black Teflon® finish		120490BK	£244.52
HYGIÉNA waste			
Black finish		6110BK	£55.63
Chrome finish		6110	£32.60

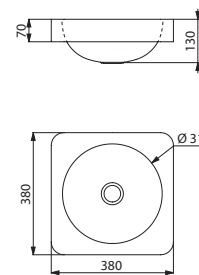
QUADRA washbasin

Countertop



- Countertop, semi-recessed washbasin, 380 × 380mm.
- Suitable for use with wall-mounted or extended mixer/tap.
- Basin internal diameter: 310mm.
- Cut-out basin diameter: 310mm.
- Bacteriostatic 304 stainless steel.
- Stainless steel thickness: 1.2mm.
- Matte black Teflon® finish.
- One-piece, seam-free pressed bowl.
- Rounded edges prevent injury.
- Supplied without waste. Waste with black finish can be added (6110BK) or chrome finish (6110).
- Without overflow.
- CE marked. Complies with European standard EN 14688.
- Weight: 3kg.
- 30-year warranty.

For taps see the DELABIE catalogue "Water Controls for Public and Commercial Places" (DOC 609UK).



120650BK

Countertop QUADRA washbasin			
Matte black Teflon® finish		120650BK	£541.43
HYGIÉNA waste			
Black finish		6110BK	£55.63
Chrome finish		6110	£32.60

: dispatch within 6 weeks : stock item



Matte black ALGUI countertop washbasin **120110BK** - BLACK BINOPTIC 2 electronic tap **37503015** - Matte black SPEEDJET 2 air pulse hand dryer **510624B**



- **Teflon® or PTFE finish:** withstands intensive use, withstands chemical products and is easy to clean
- **Design:** black is forever in fashion, a sure bet that is timeless, brings style to washrooms
- **Go all black:** perfectly matches with BLACK BINOPTIC taps and matte black finish hygienic accessories

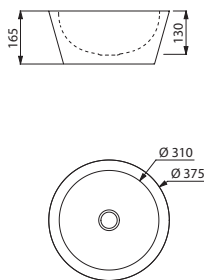
ALGUI washbasin

Countertop



- Countertop washbasin, Ø 375mm.
- Suitable for use with wall-mounted or extended mixer/tap.
- Basin internal diameter: 310mm.
- Bacteriostatic 304 stainless steel.
- Stainless steel thickness: 1.2mm.
- Matte black Teflon® finish.
- One-piece, seam-free pressed bowl.
- Rounded edges prevent injury.
- Supplied without waste. Waste with black finish can be added (6110BK) or chrome finish (6110).
- Without overflow.
- CE marked. Complies with European standard EN 14688.
- Weight: 3.8kg.
- 30-year warranty.

For taps see the DELABIE catalogue "Water Controls for Public and Commercial Places" (DOC 609UK).



120110BK

ALGUI countertop washbasin			
Matte black Teflon® finish		120110BK	£649.63
HYGIÉNA waste			
Black finish		6110BK	£55.63
Chrome finish		6110	£32.60

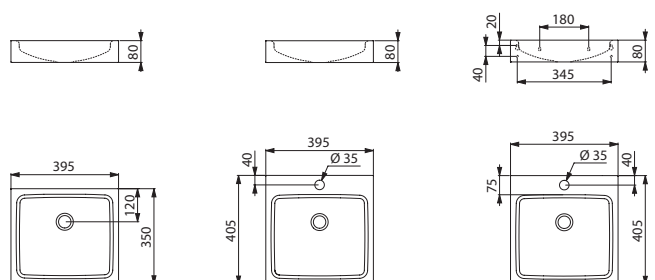
UNITO washbasin

Countertop or wall-mounted



- Countertop or wall-mounted washbasin, 395 × 350 or 405mm depending on the model.
- Suitable for use with wall-mounted or extended mixer/tap.
- Bacteriostatic 304 stainless steel.
- Stainless steel thickness: 1.2mm.
- Matte black Teflon® finish.
- Rounded edges prevent injury.
- Supplied without waste. Waste with black finish can be added (6110BK) or chrome finish (6110).
- Without overflow.
- CE marked. Complies with European standard EN 14688.
- Weight: 3.3kg for 120810BK model; 3.6kg for models 121810BK and 121830BK.
- 30-year warranty.

For taps see the DELABIE catalogue "Water Controls for Public and Commercial Places" (DOC 609UK).



120810BK

121810BK

121830BK

UNITO countertop washbasin - Matte black Teflon® finish			
Without tap hole		120810BK	£519.83
With central tap hole Ø 35mm		121810BK	£583.29
UNITO wall-mounted washbasin - Matte black Teflon® finish			
With central tap hole Ø 35mm		121830BK	£570.20
HYGIÉNA waste			
Black finish		6110BK	£55.63
Chrome finish		6110	£32.60

: dispatch within 6 weeks : stock item



Matte black MINI BAILA washbasin **121180BK** - BINOPTIC chrome-plated electronic tap **37801515** - HYGIÉNA chrome-plated waste **6110**



- **Teflon® or PTFE finish:** withstands intensive use, withstands chemical products and is easy to clean
- **Design:** black is forever in fashion, a sure bet that is timeless, brings style to washrooms
- **Go all black:** perfectly matches with BLACK BINOPTIC taps and matte black finish hygienic accessories

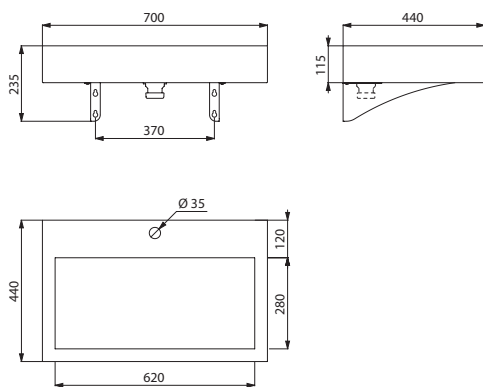
AQUEDUTO washbasin

Wall-mounted with concealed waste outlet



- Wall-mounted washbasin, 700 × 440mm.
- Simple and timeless design.
- Bacteriostatic 304 stainless steel.
- Stainless steel thickness: 1.2mm.
- Matte black Teflon® finish.
- Rounded edges prevent injury.
- Supplied with waste 1¼".
- Without overflow.
- Supplied with fixing elements and supports.
- CE marked. Complies with European standard EN 14688.
- Weight: 12kg.
- 30-year warranty.

For taps see the DELABIE catalogue "Water Controls for Public and Commercial Places" (DOC 609UK).



121150BK

AQUEDUTO wall-mounted washbasin - Matte black Teflon® finish			
Without tap hole		120150BK	£1,062.24
With central tap hole Ø 35mm		121150BK	£1,062.24

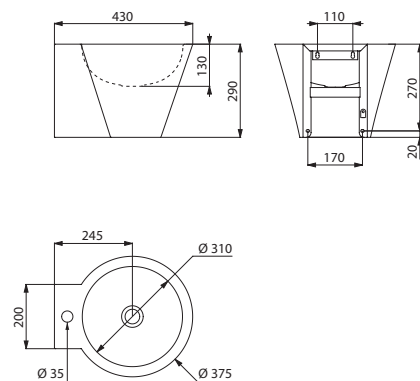
MINI BAILA washbasin

Wall-mounted



- Wall-mounted washbasin.
- Basin internal diameter: 310mm.
- Design-led styling.
- Bacteriostatic 304 stainless steel.
- Stainless steel thickness: 1mm.
- Matte black Teflon® finish.
- Rounded edges prevent injury.
- Supplied without waste. Waste with black finish can be added (6110BK) or chrome finish (6110).
- Without overflow. Supplied with fixing elements.
- CE marked. Complies with European standard EN 14688.
- Weight: 4.1kg.
- 30-year warranty.

For taps see the DELABIE catalogue "Water Controls for Public and Commercial Places" (DOC 609UK).



121180BK

MINI BAILA wall-mounted washbasin - Matte black Teflon® finish			
With central tap hole Ø 35mm		121180BK	£682.08
HYGIÉNA waste			
Black finish		6110BK	£55.63
Chrome finish		6110	£32.60

: dispatch within 6 weeks : stock item



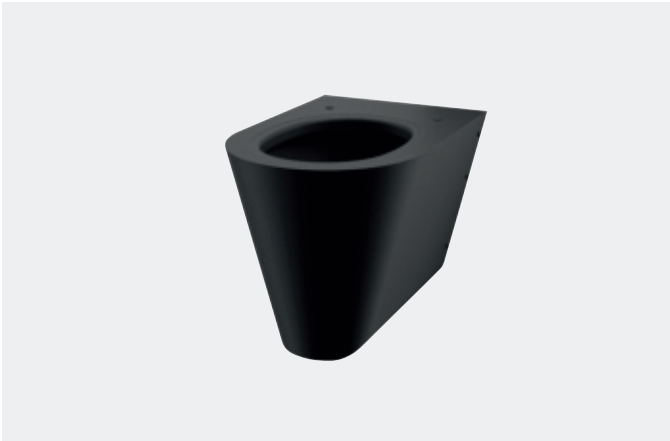
Wall-hung matte black S21 S WC pan **110310BK** - Slimline toilet seat **102819** - TEMPOFLUX 3 time flow flush system **763BOX + 763030**
Matte black toilet brush set **4051BK** - Matte black coat hook **4043BK** - Matte black toilet roll holder **510083BK**



- **Teflon® or PTFE finish:** withstands intensive use, withstands chemical products and is easy to clean
- **Design:** black is forever in fashion, a sure bet that is timeless, brings style to washrooms
- **Go all black:** perfectly matches with black tempered glass WC control plates and matte black finish hygienic accessories

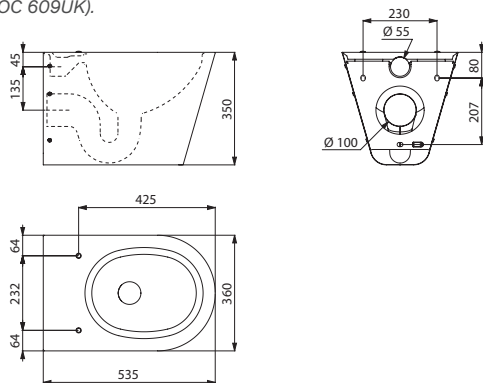
S21 S, 700 S and S21 P WC pans

Wall-hung or floor-standing



- Wall-hung or floor-standing WC.
- Elegant and simple design.
- Bacteriostatic 304 stainless steel. Stainless steel thickness: 1.5mm.
- Matte black Teflon® finish.
- One-piece pressed WC bowl, seam-free for easy maintenance and better hygiene.
- Concealed perimetral flushing rim.
- Horizontal water inlet Ø 55mm.
- Horizontal or vertical waste outlet depending on the model, Ø 100mm.
- Water saving: works with 4L or more of water.
- Pre-drilled holes for fixing the toilet seat. Supplied with stainless steel blanking caps when installed without toilet seat.
- Quick and easy to install from the front thanks to a stainless steel mounting frame or 2 access panels with TORX security screws depending on the model.
- CE marked. Complies with European standard EN 997 for 4L flush.
- Option: seats with or without lid (see page 47).
- Weight: 11kg for model S21 S; 14.5kg for model 700 S; 14kg for model S21 P.
- 30-year warranty.

For taps see the DELABIE catalogue "Water Controls for Public and Commercial Places" (DOC 609UK).



110310BK

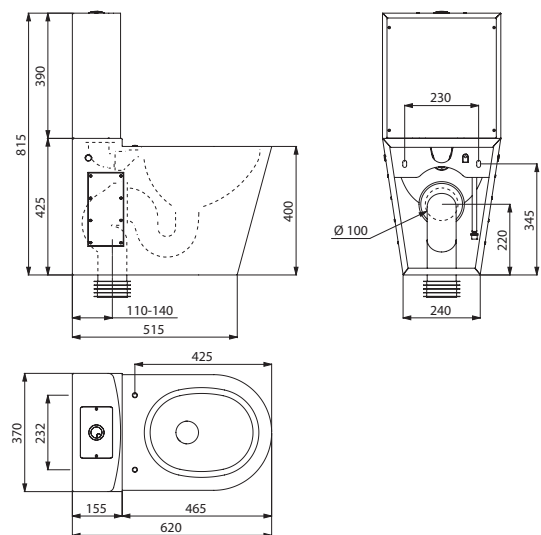
WC pan - Matte black Teflon® finish			
Wall-hung WC pan (S21 S)		110310BK	£1,308.62
Wall-hung WC pan for people with reduced mobility (700 S)		110710BK	£1,581.24
Floor-standing WC pan (S21 P)		110300BK	£1,427.53

MONOBLOCO S21 WC pan

With cistern



- Floor-standing WC with dual flush cistern 3L/6L.
- Bacteriostatic 304 stainless steel. Stainless steel thickness: 1.5mm.
- Matte black Teflon® finish.
- One-piece pressed WC bowl, seam-free for better hygiene.
- Concealed perimetral flushing rim. Water supply can be recessed from below or exposed from the side (right/left).
- Recessed horizontal or vertical waste outlet. Supplied with PVC pipe.
- Pre-drilled holes for fixing the toilet seat. Supplied with stainless steel blanking caps when installed without toilet seat.
- Quick to install: 2 access panels with TORX security screws.
- CE marked. Complies with European standard EN 997 for 4L flush.
- Option: seats with or without lid (see page 47).
- Weight: 21kg.
- 30-year warranty.



110390BK

MONOBLOCO S21 WC pan with cistern Matte black Teflon® finish		110390BK	£1,984.75
---	--	-----------------	------------------

: dispatch within 6 weeks : stock item

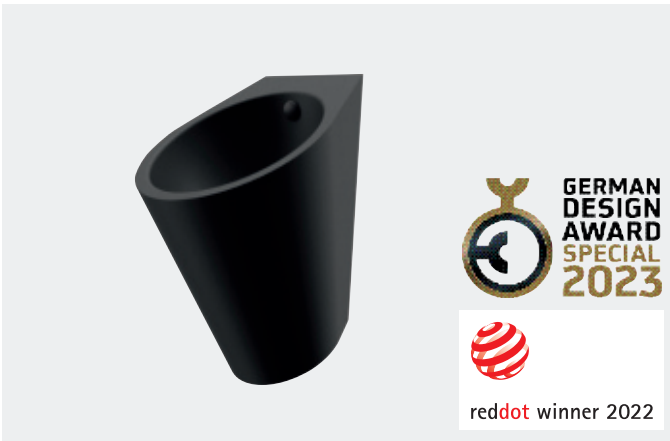




- **Teflon® or PTFE finish:** withstands intensive use, withstands chemical products and is easy to clean
- **Design:** black is forever in fashion, a sure bet that is timeless, brings style to washrooms
- **Go all black:** perfectly matches with black tempered glass urinal controls

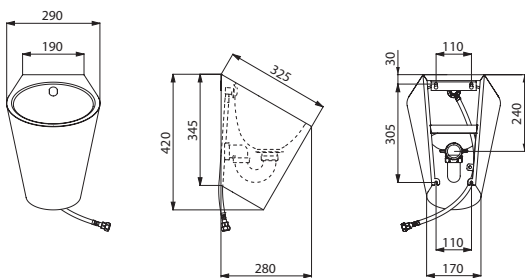
FINO urinal

Rimless



- Wall-hung individual rimless urinal.
- Compatible with all standard frame systems on the market.
- Bacteriostatic 304 stainless steel. Stainless steel thickness: 1.2mm.
- Matte black Teflon® finish.
- Rear water inlet (recessed).
- Recessed or exposed horizontal waste outlet.
- Concealed trap.
- Quick and easy to install from the front thanks to a stainless steel mounting frame.
- Supplied with a 1½" P trap. Supplied with fixing elements.
- CE marked. Complies with European standard EN 13407 for a 2-litre flush.
- Weight: 3.5kg.
- 30-year warranty.

For valves, see recommendations for individual urinals on page 59.



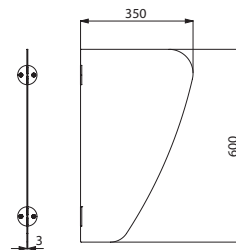
135710BK

AZA divider

Wall-mounted



- Wall-mounted urinal divider.
- Bacteriostatic 304 stainless steel.
- Stainless steel thickness: 3mm.
- Matte black Teflon® finish.
- Rounded edges.
- Supplied with fixing elements and TORX anti-theft screws.
- Weight: 4kg.
- 30-year warranty.



100620BK

FINO wall-hung urinal - Rear water inlet (recessed) - Matte black Teflon® finish		135710BK	£537.53
--	--	----------	---------

AZA wall-mounted urinal divider Matte black Teflon® finish - Height 600mm		100620BK	£357.57
--	--	----------	---------

: dispatch within 6 weeks : stock item



Washbasins

INSET
COUNTERTOP
17



FLOOR-STANDING
21



WALL-MOUNTED
23



MULTIPLE
WASHBASINS
TROUGHS
33





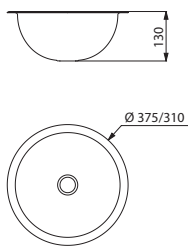
HEMI Ø 310mm and Ø 385mm washbasins

For recessed installation from above or below

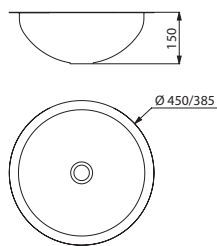


- Round basin for recessed installation from above or below.
- Basin internal diameter: 310mm or 385mm.
- Cut-out basin diameter for Ø 310mm model: 330mm for installation from above, 310mm for installation from below.
- Cut-out basin diameter for Ø 385mm model: 400mm for installation from above, 380mm for installation from below.
- Bacteriostatic 304 stainless steel.
- Stainless steel thickness: 0.8mm.
- One-piece, seam-free pressed bowl.
- Rounded edges prevent injury.
- Supplied with 1¼" waste.
- Without overflow.
- CE marked. Complies with European standard EN 14688.
- Weight: 1.5kg for 120470/120471 models; 1.6kg for 120490/120491 models.
- 30-year warranty.

For taps see the DELABIE catalogue "Water Controls for Public and Commercial Places" (DOC 609UK).



120470/120471



120490/120491

HEMI washbasin Ø 310mm for recessed installation from above or below			
Polished satin 304 stainless steel		120470	£127.24
Bright polished 304 stainless steel		120471	£179.19
HEMI washbasin Ø 385mm for recessed installation from above or below			
Polished satin 304 stainless steel		120490	£153.26
Bright polished 304 stainless steel		120491	£204.78

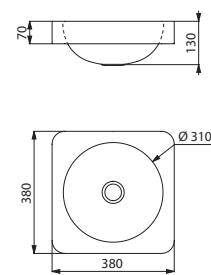
QUADRA washbasin

Countertop



- Countertop, semi-recessed washbasin, 380 × 380mm.
- Suitable for use with wall-mounted or extended mixer/tap.
- Basin internal diameter: 310mm.
- Cut-out diameter: 310mm.
- Bacteriostatic 304 stainless steel.
- Stainless steel thickness: 1.2mm.
- Dual finish is available: bright polished basin interior and polished satin exterior.
- One-piece, seam-free pressed bowl.
- Rounded edges prevent injury.
- Supplied with 1¼" waste.
- Without overflow.
- CE marked. Complies with European standard EN 14688.
- Weight: 3kg.
- 30-year warranty.

For taps see the DELABIE catalogue "Water Controls for Public and Commercial Places" (DOC 609UK).



120650/120652

Countertop QUADRA washbasin			
Polished satin 304 stainless steel		120650	£370.84
Dual finish 304 stainless steel		120652	£563.15

: dispatch within 4 weeks : stock item



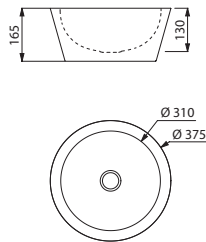
ALGUI washbasin

Countertop



- Countertop washbasin, Ø 375mm.
- Suitable for use with wall-mounted or extended mixer/tap.
- Basin internal diameter: 310mm.
- Bacteriostatic 304 stainless steel.
- Stainless steel thickness: 1.2mm.
- Dual finish is available: bright polished basin interior and polished satin exterior.
- One-piece, seam-free pressed bowl.
- Rounded edges prevent injury.
- Supplied with 1¼" waste.
- Without overflow.
- CE marked. Complies with European standard EN 14688.
- Weight: 3.8kg.
- 30-year warranty.

For taps see the DELABIE catalogue "Water Controls for Public and Commercial Places" (DOC 609UK).



120110/120112

ALGUI countertop washbasin

Polished satin 304 stainless steel		120110	£436.70
Dual finish 304 stainless steel		120112	£569.37

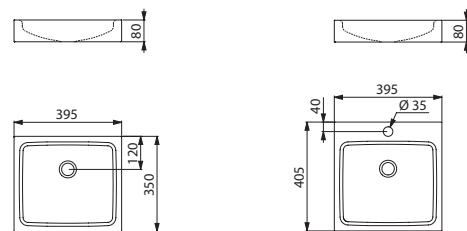
UNITO washbasin

Countertop



- Countertop washbasin, 395 × 350 or 405mm depending on the model.
- Suitable for use with wall-mounted or extended mixer/tap.
- Bacteriostatic 304 stainless steel.
- Stainless steel thickness: 1.2mm.
- Rounded edges prevent injury.
- Supplied with 1¼" waste.
- Without overflow.
- CE marked. Complies with European standard EN 14688.
- Weight: 3.3kg for 120810 model; 3.6kg for 121810 model.
- 30-year warranty.

For taps see the DELABIE catalogue "Water Controls for Public and Commercial Places" (DOC 609UK).



120810

121810

UNITO countertop washbasin - Polished satin 304 stainless steel

Without tap hole		120810	£390.78
With central tap hole Ø 35mm		121810	£423.99

: dispatch within 4 weeks : stock item



BAILA floor-standing washbasin **120172** - BINOPTIC electronic tap **379DER15**
Electronic liquid soap or foam dispenser **512111PUK** - Combi paper towel dispenser/bin **510715S**

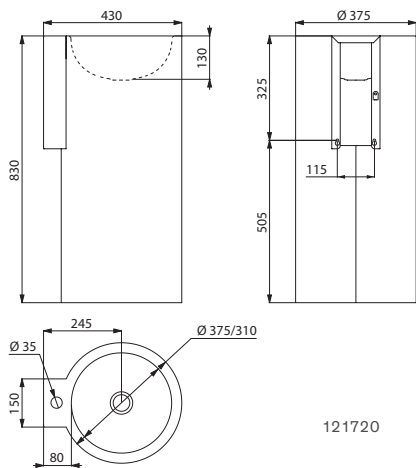
REDO-T washbasin

Floor-standing



- Floor-standing washbasin, height 830mm. Basin internal diameter: 310mm.
- Design-led styling.
- Bacteriostatic 304 stainless steel. Stainless steel thickness: 0.8mm.
- Rounded edges prevent injury.
- Supplied with 1 1/4" waste. Without overflow. Supplied with fixing elements.
- CE marked. Complies with European standard EN 14688.
- Weight: 14kg.
- 30-year warranty.

For taps see the DELABIE catalogue "Water Controls for Public and Commercial Places" (DOC 609UK).



REDO-T floor-standing washbasin - Polished satin 304 stainless steel			
Without tap hole		120720	£716.75
With central tap hole Ø 35mm		121720	£716.75

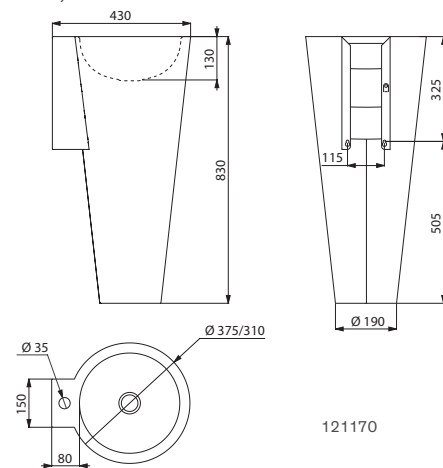
BAILA washbasin

Floor-standing



- Floor-standing washbasin, height 830mm. Basin internal diameter: 310mm.
- Design-led styling.
- Bacteriostatic 304 stainless steel. Stainless steel thickness: 0.8mm.
- Dual finish is available: bright polished basin interior and polished satin exterior.
- Rounded edges prevent injury.
- Supplied with 1 1/4" waste. Without overflow. Supplied with fixing elements.
- CE marked. Complies with European standard EN 14688.
- Weight: 12kg.
- 30-year warranty.

For taps see the DELABIE catalogue "Water Controls for Public and Commercial Places" (DOC 609UK).



Floor-standing BAILA washbasin without tap hole			
Polished satin 304 stainless steel		120170	£600.16
Dual finish 304 stainless steel		120172	£707.94
Floor-standing BAILA washbasin with central tap hole Ø 35mm			
Polished satin 304 stainless steel		121170	£600.16

: dispatch within 4 weeks : stock item



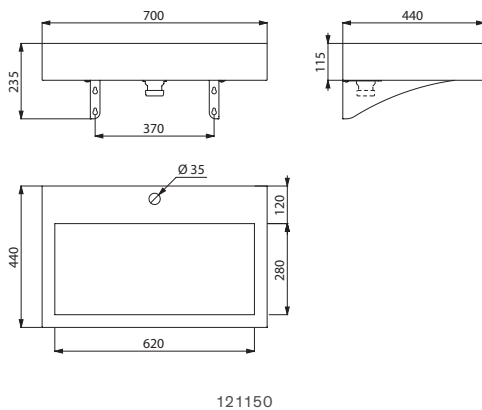
AQUEDUTO washbasin

Wall-mounted with concealed waste outlet



- Wall-mounted washbasin, 700 × 440mm.
- Simple and timeless design.
- Bacteriostatic 304 stainless steel.
- Stainless steel thickness: 1.2mm.
- Rounded edges prevent injury.
- Supplied with 1¼" waste.
- Without overflow.
- Supplied with brackets and fixing elements.
- CE marked. Complies with European standard EN 14688.
- Weight: 12kg.
- 30-year warranty.

For taps see the DELABIE catalogue "Water Controls for Public and Commercial Places" (DOC 609UK).



121150

Wall-mounted AQUEDUTO washbasin - Polished satin 304 stainless steel			
Without tap hole		120150	£779.71
With central tap hole Ø 35mm		121150	£779.71

Available on request: other lengths (600mm - 1,800mm)

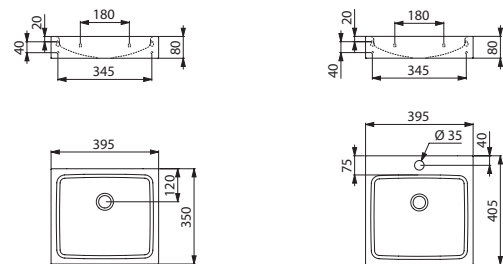
UNITO washbasin

Wall-mounted



- Wall-mounted washbasin, 395 × 350 or 405mm depending on model.
- Simple and timeless design.
- Bacteriostatic 304 stainless steel.
- Stainless steel thickness: 1.2mm.
- Rounded edges prevent injury.
- Supplied with 1¼" waste.
- Without overflow.
- Supplied with fixing elements.
- CE marked. Complies with European standard EN 14688.
- Weight: 3.3kg for 120830 model; 3.6kg for 121830 model.
- 30-year warranty.

For taps see the DELABIE catalogue "Water Controls for Public and Commercial Places" (DOC 609UK).



120830

121830

Wall-mounted UNITO washbasin - Polished satin 304 stainless steel			
Without tap hole		120830	£390.78
With central tap hole Ø 35mm		121830	£423.99

: dispatch within 4 weeks : stock item

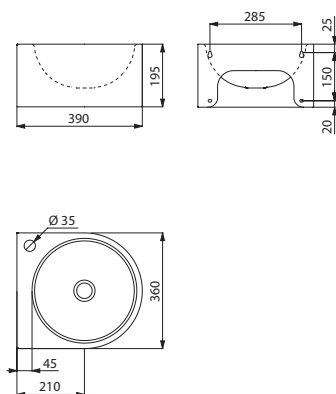
FACIL hand washbasin

Wall-mounted





- Wall-mounted hand washbasin, 360 × 390mm.
- Basin internal diameter: 310mm.
- Clean and simple design.
- Bacteriostatic 304 stainless steel.
- Stainless steel thickness: 1.2mm.
- Rounded edges prevent injury.
- Supplied with 1¼" waste.
- Without overflow.
- Supplied with fixing elements.
- CE marked. Complies with European standard EN 14688.
- Weight: 4.1kg.
- 30-year warranty.

For taps see the DELABIE catalogue "Water Controls for Public and Commercial Places" (DOC 609UK).



121800

Wall-mounted FACIL hand washbasin - Polished satin 304 stainless steel			
Without tap hole		120800	£327.91
With right tap hole Ø 35mm		121800	£327.91

 : dispatch within 4 weeks  : stock item

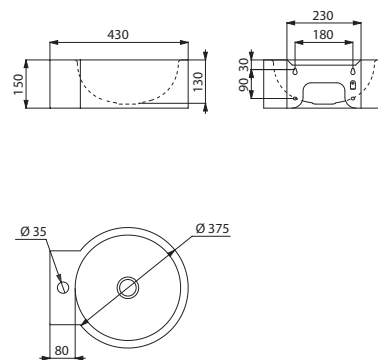
REDO hand washbasin

Wall-mounted



- Wall-mounted hand washbasin.
- Basin internal diameter: 310mm.
- Clean and simple design.
- Bacteriostatic 304 stainless steel.
- Stainless steel thickness: 1.2mm.
- Rounded edges prevent injury.
- Supplied with 1¼" waste.
- Without overflow.
- Supplied with fixing elements.
- CE marked. Complies with European standard EN 14688.
- Weight: 3kg.
- 30-year warranty.

For taps see the DELABIE catalogue "Water Controls for Public and Commercial Places" (DOC 609UK).



121710

Wall-mounted REDO hand washbasin - Polished satin 304 stainless steel			
Without tap hole		120710	£350.46
With central tap hole Ø 35mm		121710	£350.46

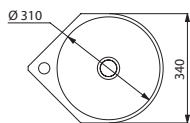
MINIMAL hand washbasin

Wall-mounted - Corner washbasin



- Wall-mounted hand washbasin for installation in corners (walls at 90°).
- Basin internal diameter: 310mm.
- Clean and simple design.
- Bacteriostatic 304 stainless steel.
- Stainless steel thickness: 1.2mm.
- Rounded edges prevent injury.
- Supplied with 1¼" waste.
- Without overflow.
- Supplied with fixing elements.
- CE marked. Complies with European standard EN 14688.
- Weight: 4kg.
- 30-year warranty.

For taps see the DELABIE catalogue "Water Controls for Public and Commercial Places" (DOC 609UK).

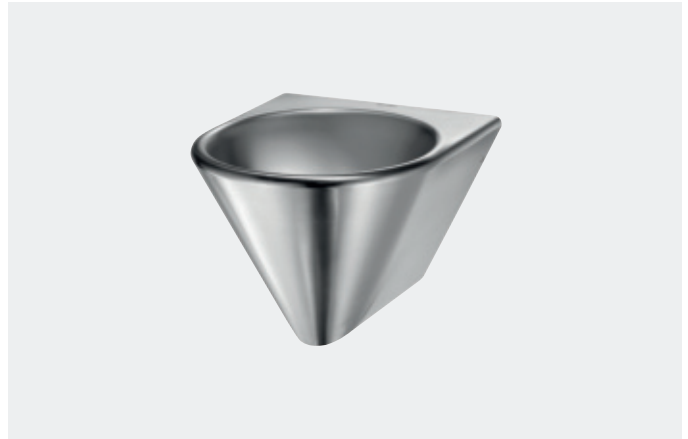


121550

Wall-mounted MINIMAL hand washbasin - Polished satin 304 stainless steel			
Without tap hole		120550	£317.90
With central tap hole Ø 35mm		121550	£317.90

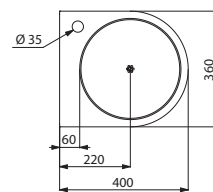
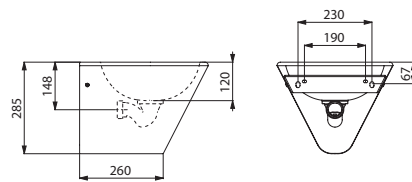
BOB hand washbasin

Wall-mounted with concealed drainage



- Wall-mounted hand washbasin.
- Basin internal diameter: 310mm.
- Clean and simple design.
- Bacteriostatic 304 stainless steel.
- Stainless steel thickness: 1.2mm.
- Rounded edges prevent injury.
- Vandal-resistant: shrouded basin, concealed trap.
- Quick and easy to install from the front thanks to a stainless steel mounting frame.
- Supplied with 1½" waste and trap.
- Without overflow.
- Supplied with fixing elements.
- CE marked. Complies with European standard EN 14688.
- Available for cross wall installation in service ducts (see page 84).
- Weight: 5.5kg.
- 30-year warranty.

For taps see the DELABIE catalogue "Water Controls for Public and Commercial Places" (DOC 609UK).



121130

Wall-mounted BOB hand washbasin - Polished satin 304 stainless steel			
Without tap hole		120130	£422.37
With right tap hole Ø 35mm		121130	£422.37

: dispatch within 4 weeks : stock item



LAVANDO hand washbasin **121360** - TEMPOMATIC 5 electronic tap **44900615** - Wall-hung S21 S WC pan **110310**
Slimline black toilet seat **102819** - Recessed TEMPOFLUX 3 time flow flush system **763BOX + 763041** - Toilet brush with holder WC **4051S**

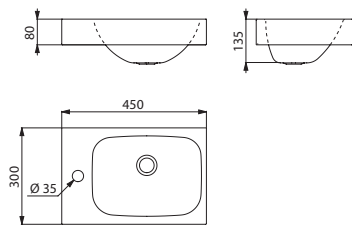
LAVANDO hand washbasin

Wall-mounted

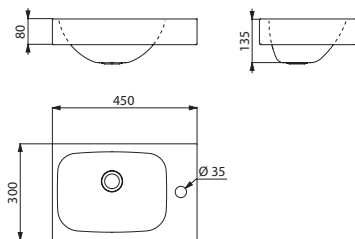


- Wall-mounted hand washbasin, 450 × 300mm.
- Bacteriostatic 304 stainless steel.
- Stainless steel thickness: 1.2mm.
- Rounded edges prevent injury.
- With Ø 35mm tap hole on left or right.
- Supplied with 1¼" waste. Without overflow. Supplied with fixing elements.
- CE marked. Complies with European standard EN 14688.
- Weight: 3.2kg.
- 30-year warranty.

For taps see the DELABIE catalogue "Water Controls for Public and Commercial Places" (DOC 609UK).



121360



121370

Wall-mounted LAVANDO hand washbasin - Polished satin 304 stainless steel			
With left tap hole Ø 35mm		121360	£428.74
With right tap hole Ø 35mm		121370	£428.74

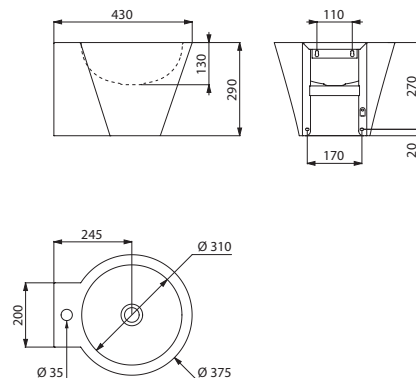
MINI BAILA washbasin

Wall-mounted



- Wall-mounted washbasin.
- Basin internal diameter: 310mm.
- Design-led styling.
- Bacteriostatic 304 stainless steel.
- Stainless steel thickness: 1mm.
- Dual finish is available: bright polished basin interior and polished satin exterior.
- Rounded edges prevent injury.
- Supplied with 1¼" waste. Without overflow. Supplied with fixing elements.
- CE marked. Complies with European standard EN 14688.
- Weight: 4.1kg.
- 30-year warranty.

For taps see the DELABIE catalogue "Water Controls for Public and Commercial Places" (DOC 609UK).



121180

Wall-mounted MINI BAILA washbasin without tap hole			
Polished satin 304 stainless steel		120180	£453.55
Dual finish 304 stainless steel		120182	£575.90
Wall-mounted MINI BAILA washbasin with central tap hole Ø 35mm			
Polished satin 304 stainless steel		121180	£453.55

: dispatch within 4 weeks : stock item

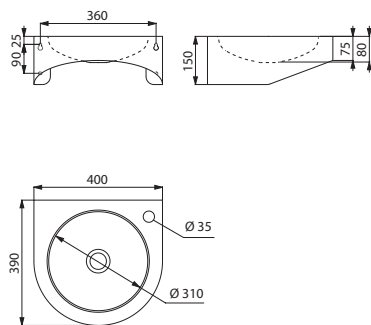
PMR XS hand washbasin

Wall-mounted



- Wall-mounted hand washbasin.
- Basin internal diameter: 310mm.
- Bacteriostatic 304 stainless steel.
- Stainless steel thickness: 1.2mm.
- Rounded edges prevent injury.
- Supplied with 1¼" waste.
- Without overflow.
- Supplied with fixing elements.
- CE marked. Complies with European standard EN 14688.
- Available for cross wall installation in service ducts (see page 85).
- Weight: 3.9kg.
- 30-year warranty.

For taps see the DELABIE catalogue "Water Controls for Public and Commercial Places" (DOC 609UK).



123400

Wall-mounted PMR XS hand washbasin - Polished satin 304 stainless steel			
Without tap hole		120400	£288.27
With right tap hole Ø 35mm		123400	£288.27

: dispatch within 4 weeks : stock item

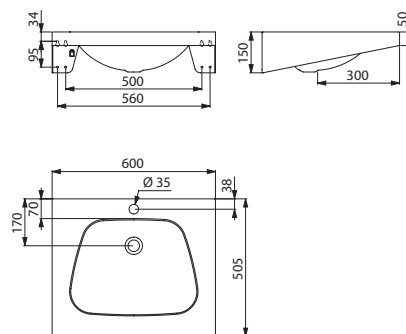
TRAPEZ washbasin

Wall-mounted



- Wall-mounted washbasin, 600 × 505mm.
- Washbasin suitable for people with reduced mobility.
- Bacteriostatic 304 stainless steel.
- Stainless steel thickness: 1.2mm.
- Rounded edges prevent injury.
- Supplied with 1¼" waste.
- Without overflow.
- Supplied with fixing elements.
- CE marked. Complies with European standard EN 14688.
- Weight: 5.5kg.
- 30-year warranty.

For taps see the DELABIE catalogue "Water Controls for Public and Commercial Places" (DOC 609UK).



121270

Wall-mounted TRAPEZ washbasin - Polished satin 304 stainless steel			
Without tap hole		120270	£387.69
With central tap hole Ø 35mm		121270	£387.69

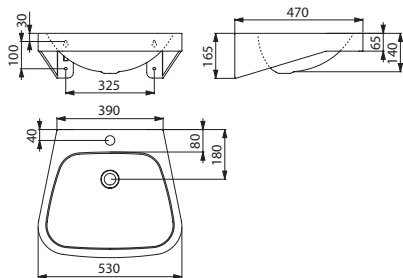
FRAJU washbasin

Wall-mounted

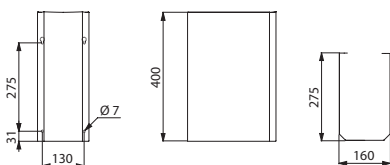


- Wall-mounted washbasin, 530 × 470mm.
- Bacteriostatic 304 stainless steel.
- Stainless steel thickness: 1.2mm for the bowl and 1.5mm for the surround.
- Rounded edges prevent injury.
- Supplied with 1¼" waste. Without overflow. Supplied with fixing elements.
- CE marked. Complies with European standard EN 14688.
- Weight: 4.65kg.
- Option to add a bacteriostatic 304 stainless steel trap cover, stainless steel thickness: 1.2mm.
- 30-year warranty.

For taps see the DELABIE catalogue "Water Controls for Public and Commercial Places" (DOC 609UK).



121430



100930

Wall-mounted FRAJU washbasin - Polished satin 304 stainless steel

Without tap hole		120430	£387.22
With central tap hole Ø 35mm		121430	£387.22
Trap cover for FRAJU washbasin			
Polished satin 304 stainless steel		100930	£136.16

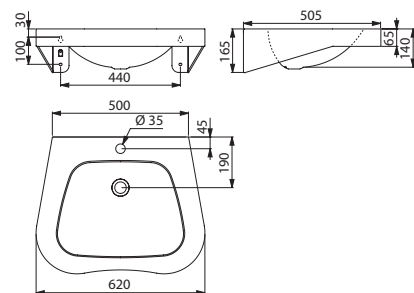
FRAJU PMR washbasin

Wall-mounted



- Wall-mounted washbasin, 620 × 505mm.
- Washbasin suitable for people with reduced mobility.
- Bacteriostatic 304 stainless steel.
- Stainless steel thickness: 1.2mm for the bowl and 1.5mm for the surround.
- Rounded edges prevent injury.
- Supplied with 1¼" waste. Without overflow. Supplied with fixing elements.
- CE marked. Complies with European standard EN 14688.
- Weight: 5kg.
- 30-year warranty.

For taps see the DELABIE catalogue "Water Controls for Public and Commercial Places" (DOC 609UK).



121440

Wall-mounted FRAJU PMR washbasin - Polished satin 304 stainless steel

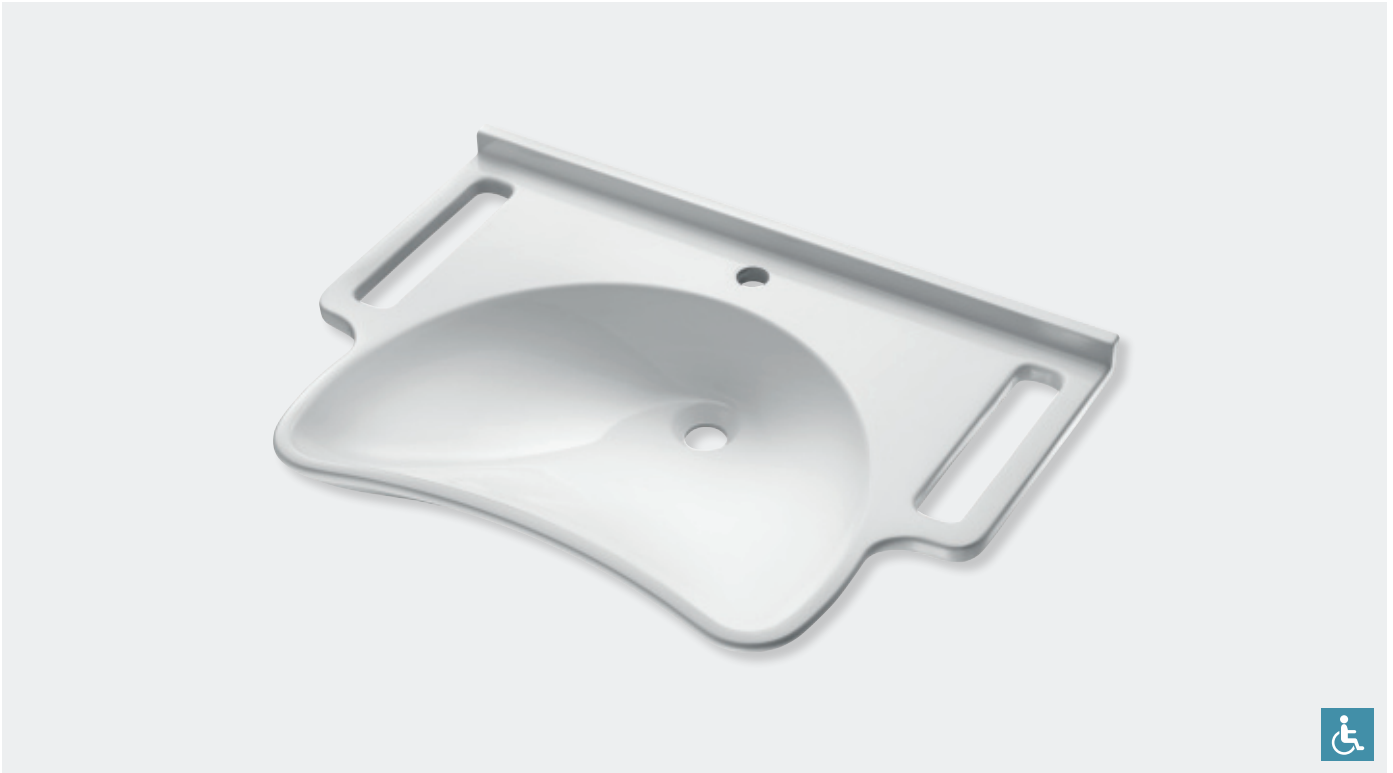
Without tap hole		120440	£437.32
With central tap hole Ø 35mm		121440	£437.32

: dispatch within 4 weeks : stock item



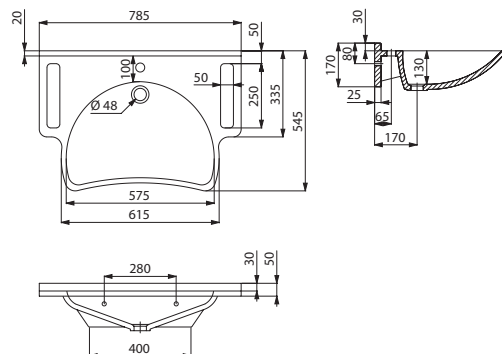
MINERALCAST PMR washbasin

Wall-mounted



- Wall-mounted washbasin, 785 × 545 × 170mm.
- With integral side grips which can be used as a support or a towel holder.
- Sleek and smooth lines.
- MINERALCAST: composite material consisting of natural minerals and polyester resin.
- Ideal for use in hospitals or public and commercial places.
- Shallow washbasin suitable for people with reduced mobility.
- Uniform, non-porous surface is easy to clean.
- One-piece cast washbasin, seam-free, for easy maintenance and better hygiene.
- Warm to the touch.
- Without overflow.
- Supplied with fixing elements.
- White, RAL 9016.
- CE marked. Complies with European standard EN14688.
- Weight: 21.5kg.
- 30-year warranty.

For taps see the DELABIE catalogue "Water Controls for Public and Commercial Places" (DOC 609UK) and "Water Controls for Healthcare Facilities" (DOC 900UK).



Wall-mounted MINERALCAST PMR washbasin with central tap hole Ø 35mm		132306	£708.43
---	--	--------	---------

132306

: dispatch within 4 weeks : stock item



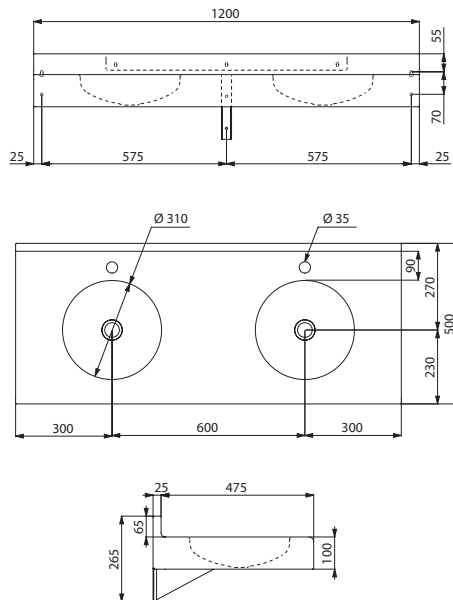
DUPLO RP multiple washbasin

Wall-mounted - Double washbasin



- Wall-mounted washbasin, for 2 services, 1,200 × 500mm.
- With an upstand to protect the wall from splashing and improve hygiene.
- Basin internal diameter: 310mm.
- Bacteriostatic 304 stainless steel.
- Stainless steel thickness: 1.5mm.
- Rounded edges prevent injury.
- Supplied with two 1¼" wastes.
- Without overflow.
- Supplied with brackets and fixing elements.
- CE marked. Complies with European standard EN 14688.
- Weight: 15kg.
- 30-year warranty.

For taps see the DELABIE catalogue "Water Controls for Public and Commercial Places" (DOC 609UK).



121390

Wall-mounted DUPLO RP multiple washbasin - Polished satin 304 st. steel			
Without tap holes		120390	£954.16
With two central tap holes Ø 35mm		121390	£954.16

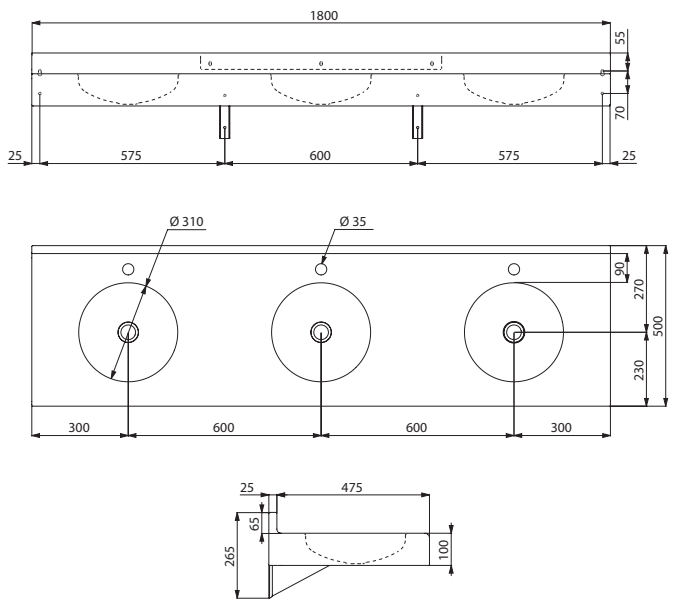
TRIPLO RP multiple washbasin

Wall-mounted - Triple washbasin



- Wall-mounted washbasin, for 3 services, 1,800 × 500mm.
- With an upstand to protect the wall from splashing and improve hygiene.
- Basin internal diameter: 310mm.
- Bacteriostatic 304 stainless steel.
- Stainless steel thickness: 1.5mm.
- Rounded edges prevent injury.
- Supplied with three 1¼" wastes.
- Without overflow.
- Supplied with brackets and fixing elements.
- CE marked. Complies with European standard EN 14688.
- Weight: 22kg.
- 30-year warranty.

For taps see the DELABIE catalogue "Water Controls for Public and Commercial Places" (DOC 609UK).



121750

Wall-mounted TRIPLO RP multiple washbasin - Polished satin 304 st. steel			
Without tap holes		120750	£1,330.45
With three central tap holes Ø 35mm		121750	£1,330.45

: dispatch within 4 weeks : stock item



MINERALCAST wash trough with 3 services **454182** - Pedestal for MINERALCAST wash trough (x2) **454010**
TEMPOMATIC 4 electronic tap **44000615** - Electronic liquid soap dispenser **512066S** - HIGHFLOW high speed air pulse hand dryer **510622S**

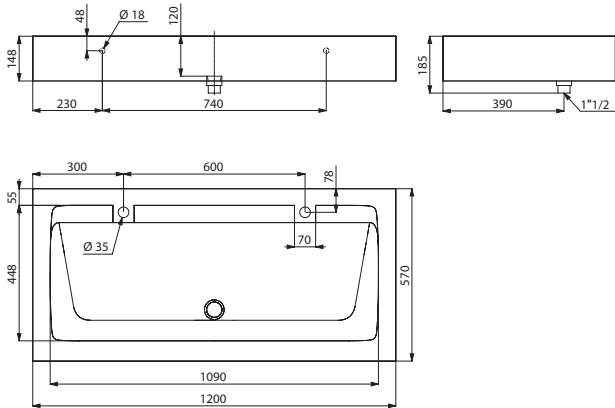
MINERALCAST wash trough

Wall-mounted - 2 or 3 services



- Wall-mounted wash trough, for 2 or 3 services.
- MINERALCAST: composite material consisting of natural minerals and polyester resin.
- Ideal for use in public and commercial places.
- Uniform, non-porous surface is easy to clean.
- One-piece cast washbasin, seam-free, for easy maintenance and better hygiene.
- Pleasant to the touch.
- Supplied with 1½" waste. Without overflow.
- Supplied with fixing elements.
- White, RAL 9016.
- CE marked. Complies with European standard EN 14296.
- Weight: 64kg for double basin model; 90kg for triple basin model.
- MINERALCAST pedestals in anthracite also available, sold individually.
- 30-year warranty.

For taps see the DELABIE catalogue "Water Controls for Public and Commercial Places" (DOC 609UK).



454122

Wall-mounted MINERALCAST wash trough without tap holes			
2 services - L. 1,200mm		454120	£1,279.56
3 services - L. 1,800mm		454180	£1,673.07
Wall-mounted MINERALCAST wash trough with central tap holes Ø 35mm			
2 services - L. 1,200mm		454122	£1,360.01
3 services - L. 1,800mm		454182	£1,793.82
MINERALCAST pedestal (sold individually)			
H. 525mm - Anthracite		454001A	£243.26
H. 675mm - Anthracite		454010	£280.52

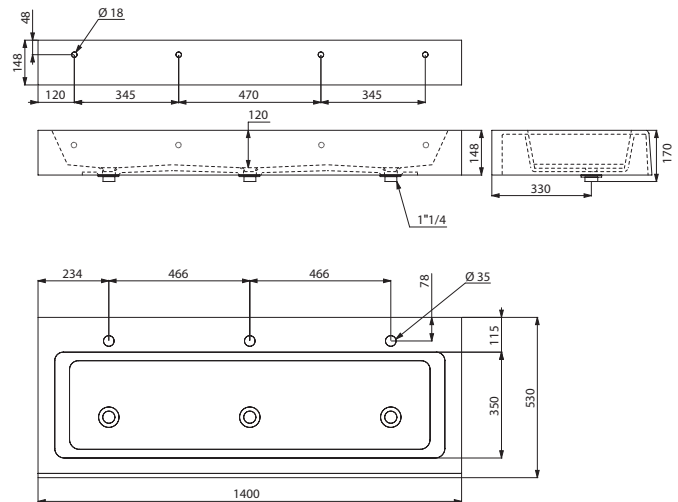
MINERALCAST wash trough

Wall-mounted - 3 services



- Wall-mounted wash trough, for 3 services.
- MINERALCAST: composite material consisting of natural minerals and polyester resin.
- Ideal for use in public and commercial places, especially schools.
- Uniform, non-porous surface is easy to clean.
- One-piece cast wash trough, seam-free, for easy maintenance and better hygiene.
- Pleasant to the touch.
- With incline to prevent water pooling.
- Supplied with three 1¼" wastes. Without overflow.
- Supplied with fixing elements.
- White, RAL 9016.
- CE marked. Complies with European standard EN 14296.
- Weight: 63kg.
- 30-year warranty.

For taps see the DELABIE catalogue "Water Controls for Public and Commercial Places" (DOC 609UK).



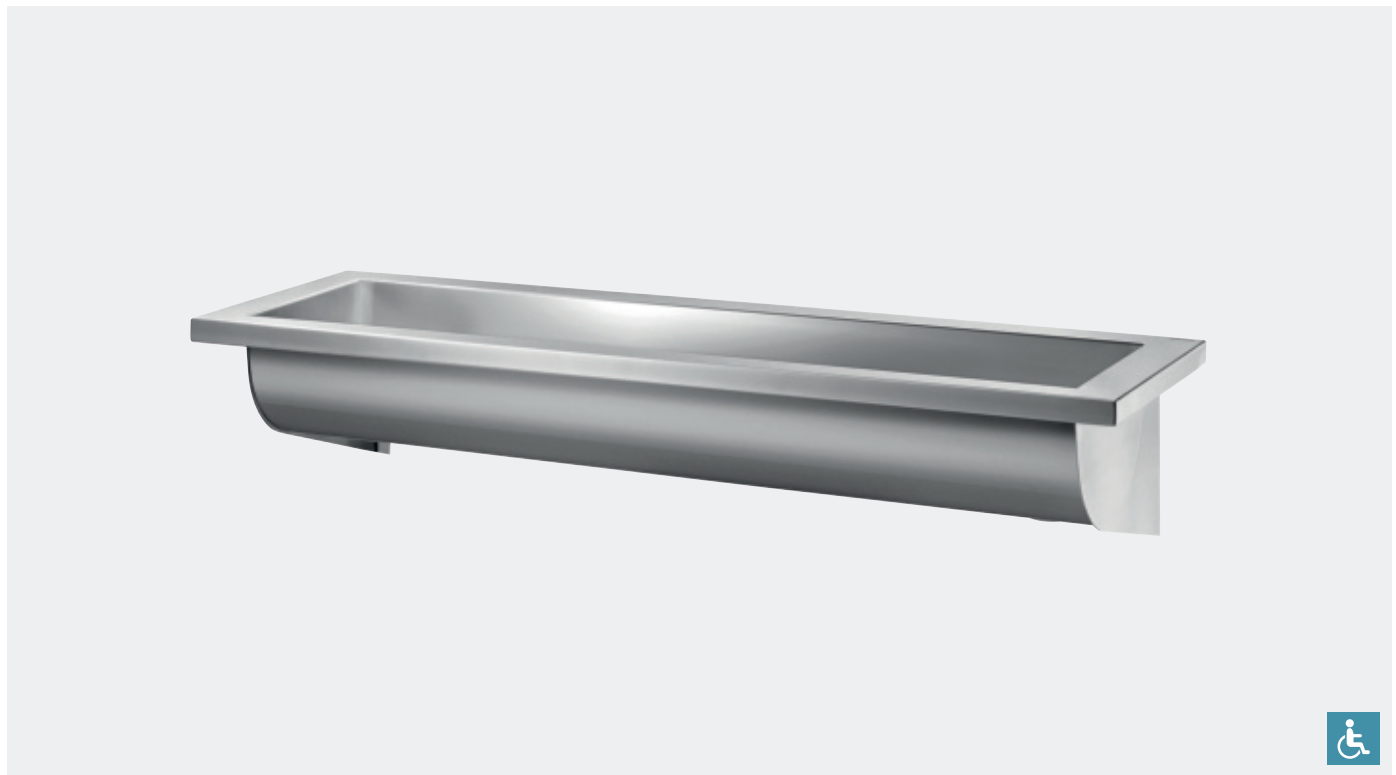
453140

Wall-mounted MINERALCAST wash trough with central tap holes Ø 35mm 3 services - L. 1,400mm		453140	£1,989.30
---	--	--------	-----------

: dispatch within 4 weeks : stock item

CANAL wash trough

Wall-mounted - 1 to 5 services



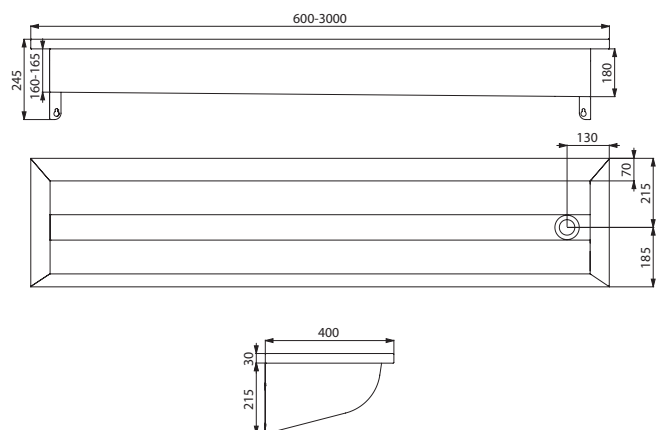
- Wall-mounted wash trough, for 1 - 5 services.
- Bacteriostatic 304 stainless steel.
- Stainless steel thickness: 0.8mm for the trough, 1.5mm for surround and fixing brackets.
- Easy to install: no joint concealers to install, lightweight wash trough.
- Taps can be installed wall-mounted or deck-mounted.
- Available with drainage on the right or left.
- Supplied with 1½" waste. Without overflow.
- Supplied with fixing elements.
- CE marked. Complies with European standard EN 14296.
- Weight: 4.9kg for the 600mm model; 7.6kg for the 1,200mm model; 8.5kg for the 1,400mm model; 10.3kg for the 1,800mm model; 13kg for the 2,400mm model; 15.6kg for the 3,000mm model.
- Option to add a stainless steel splashback (see *opposite*).
- 30-year warranty.

For taps see the DELABIE catalogue "Water Controls for Public and Commercial Places" (DOC 609UK).

Wall-mounted CANAL wash trough - Drainage on the right				
Without tap holes				
Pol. satin 304 st. steel - 1 service - L. 600mm		120240	£386.54	
Pol. satin 304 st. steel - 2 services - L. 1,200mm		120250	£508.56	
Pol. satin 304 st. steel - 2-3 services - L. 1,400mm		120260	£546.29	
Pol. satin 304 st. steel - 3-4 services - L. 1,800mm		120280	£638.80	
Pol. satin 304 st. steel - 4 services - L. 2,400mm		120300	£755.00	
Pol. satin 304 st. steel - 5 services - L. 3,000mm		120310	£850.81	
With tap holes Ø 22mm				
Pol. satin 304 st. steel - 2 services - L. 1,200mm		121250	£508.56	
Pol. satin 304 st. steel - 3 services - L. 1,800mm		121280	£638.80	
Pol. satin 304 st. steel - 4 services - L. 2,400mm		121300	£755.00	
Wall-mounted CANAL wash trough - Drainage on the left				
Without tap holes				
Pol. satin 304 st. steel - 2 services - L. 1,200mm		122250	£508.56	
Pol. satin 304 st. steel - 3-4 services - L. 1,800mm		122280	£638.80	

Available on request: other lengths (600mm - 3,000mm) and left drainage

: dispatch within 4 weeks : stock item

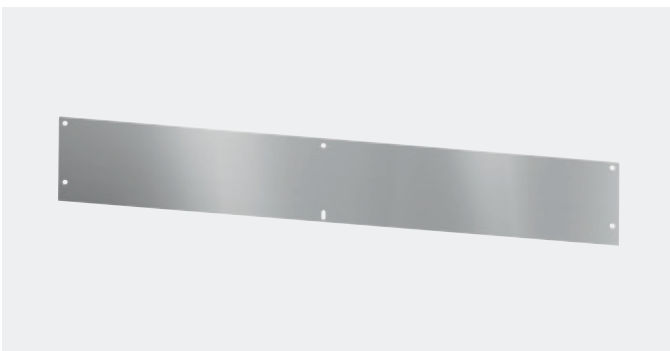


120240/120250/120260/120280/120300/120310

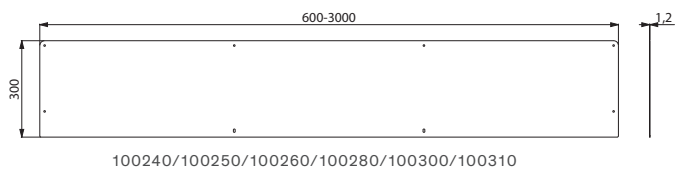


WASHBASINS

Splashback for CANAL wash trough



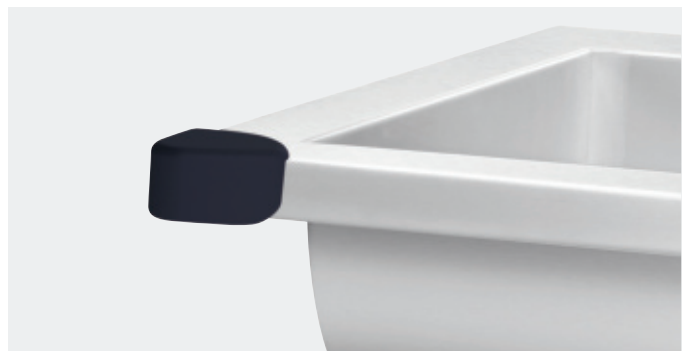
- Bacteriostatic 304 stainless steel, stainless steel thickness 1.2mm.
- 30-year warranty.



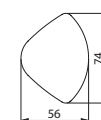
Splashback for CANAL wash trough				
Polished satin 304 stainless steel - L. 600mm		100240	£90.05	
Polished satin 304 stainless steel - L. 1,200mm		100250	£145.90	
Polished satin 304 stainless steel - L. 1,400mm		100260	£162.34	
Polished satin 304 stainless steel - L. 1,800mm		100280	£201.70	
Polished satin 304 stainless steel - L. 2,400mm		100300	£288.93	
Polished satin 304 stainless steel - L. 3,000mm		100310	£328.15	

Available on request: other lengths (600mm - 3,000mm)

Protective corners for CANAL wash trough



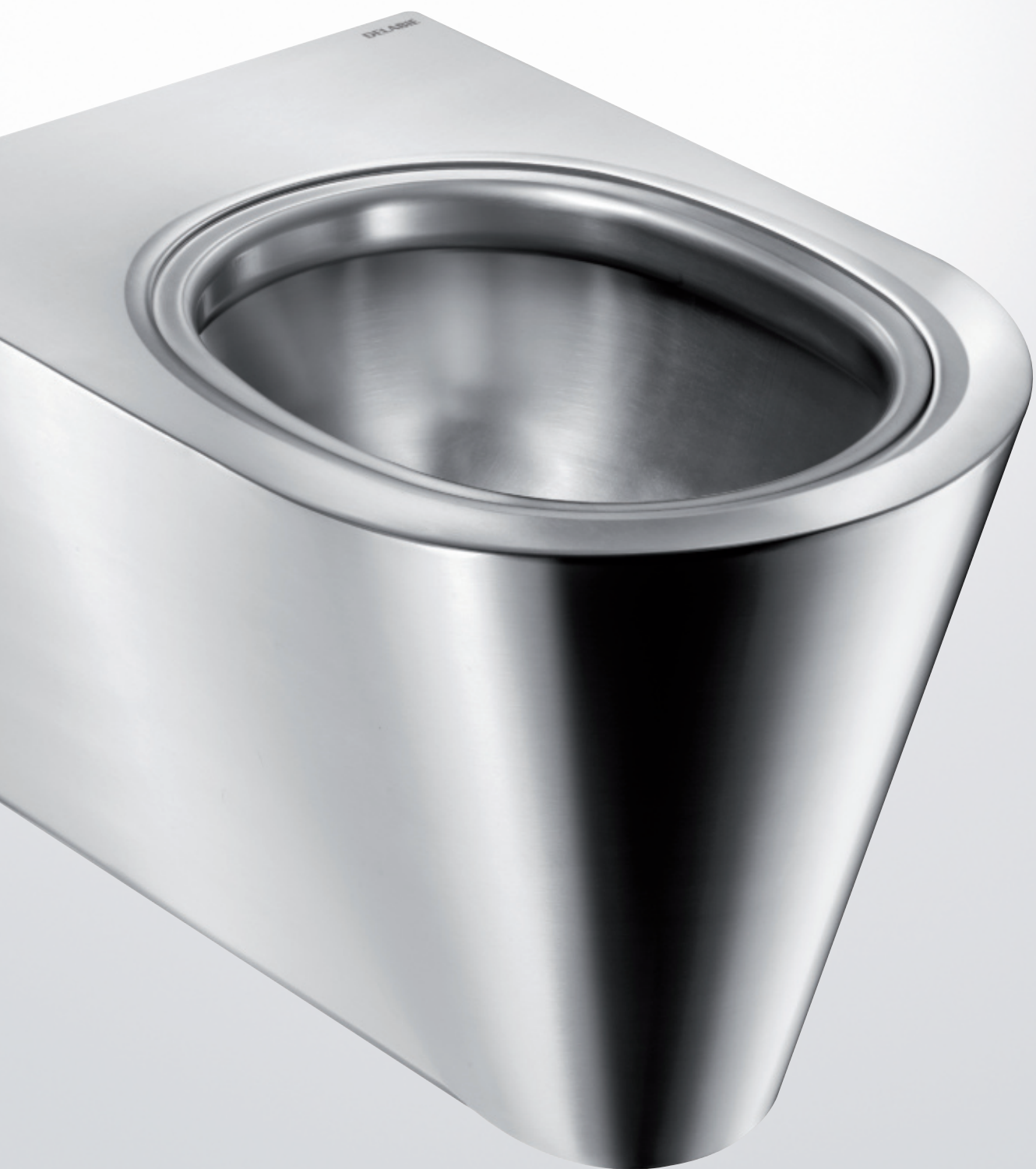
- Adhesive protective corners supplied with double-sided adhesive tape.
- Made from elastomer plastic.
- Sold in packs of 2.
- Grey, RAL 7015.
- 30-year warranty.



100209

Protective corners for CANAL wash trough		100209	£29.58
---	--	---------------	---------------

: dispatch within 4 weeks : stock item



WC pans

WALL-HUNG
41



FLOOR-STANDING
44



CLOSE
COUPLED
46



TOILET
SEATS & LIDS
47

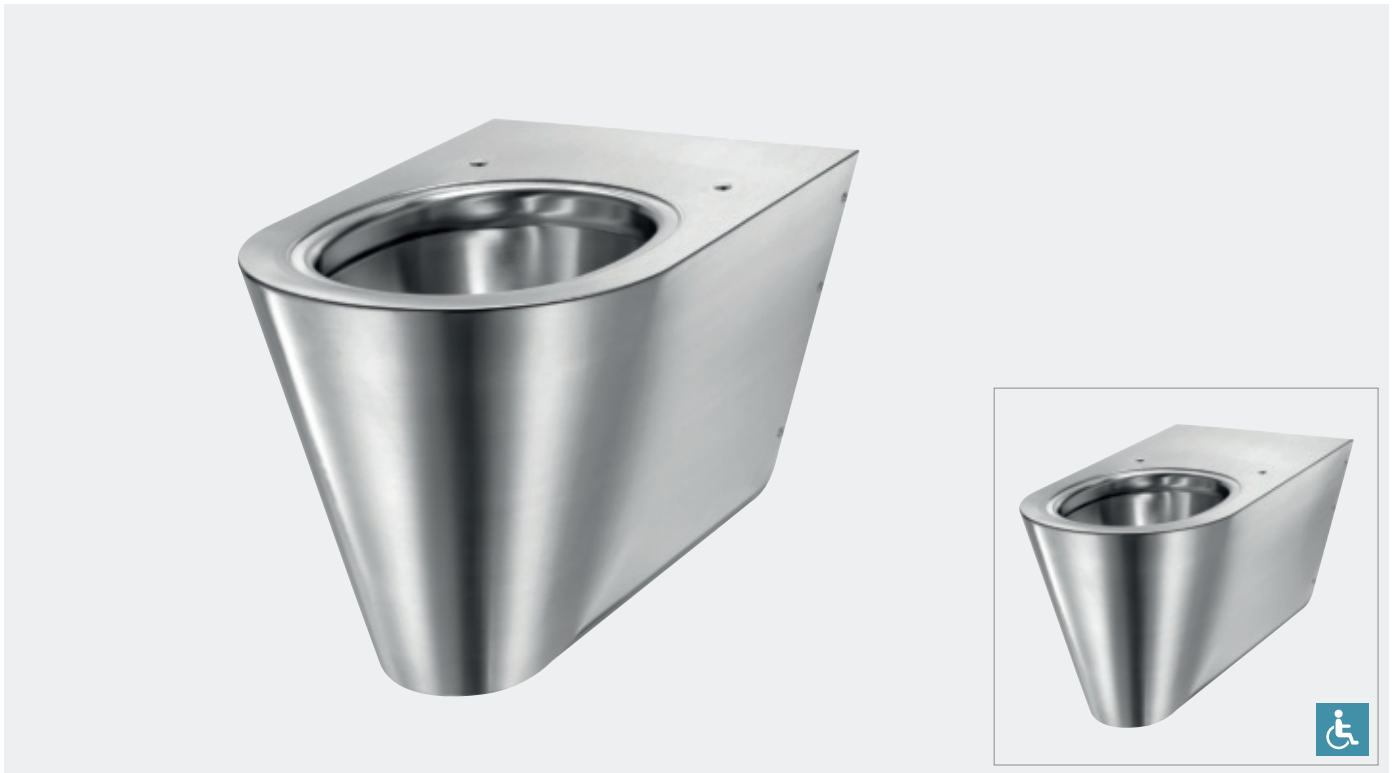




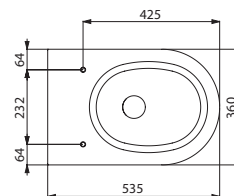
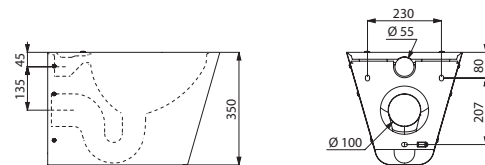
S21 S wall-hung WC pan **110310** - Slim black toilet seat **102819** - TEMPOFLUX 3 time flow direct flush valve **763BOX + 763040** - Toilet roll holder **510567**
Toilet brush set **4051S**

S21 S standard WC pan and 700 S WC pan for people with reduced mobility

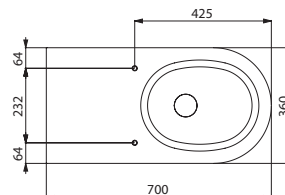
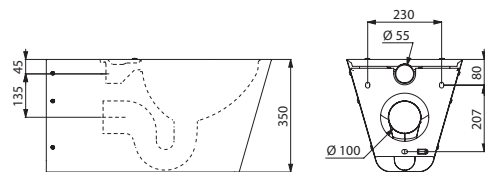
Wall-hung



- Wall-hung WC pan.
- Available with 700mm elongated pan for improved comfort for people with reduced mobility (700 S).
- Compatible with all standard frame systems available on the market.
- Elegant and simple design.
- Bacteriostatic 304 stainless steel.
- Stainless steel thickness: 1.5mm.
- One-piece pressed WC bowl, seam-free for easy maintenance and better hygiene.
- WC bowl surface is polished with rounded edges for easy cleaning.
- Concealed perimetral flushing rim.
- Horizontal water inlet: Ø 55mm.
- Horizontal waste outlet: Ø 100mm.
- Water saving: works with 4L or more of water.
- Shrouded WC pan.
- Pre-drilled holes for fixing the toilet seat. Supplied with stainless steel blanking caps when installed without toilet seat.
- Quick and easy to install from the front thanks to a stainless steel mounting frame.
- Supplied with fixing plate and 6 theft prevention TORX security screws.
- CE marked. Complies with European standard EN 997 for 4L flush.
- Optional toilet seat with or without lid (see page 47).
- The S21 S WC pan can be ordered with black protective pads already fixed to the WC pan: ref. 110310PAD.
- Available for cross wall installation in service ducts (see page 88).
- Weight: 11kg for the S21 S model; 14.5kg for the 700 S model.
- 30-year warranty.



110310



110710

For flush valves see the DELABIE catalogue "Water Controls for Public and Commercial Places" (DOC 609UK).

Wall-hung S21 S WC pan			
Polished satin 304 stainless steel		110310	£933.27
With black protective pads fixed to WC pan		110310PAD	£997.16
Wall-hung 700 S WC pan for people with reduced mobility			
Polished satin 304 stainless steel		110710	£1,126.65

: dispatch within 4 weeks : stock item



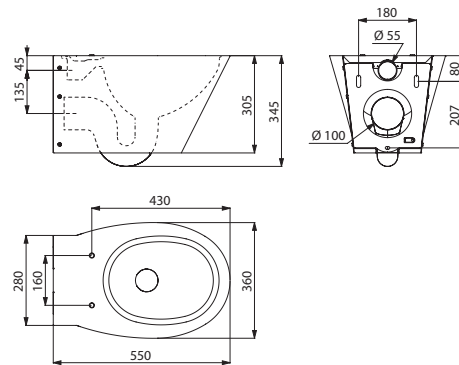
BCN S wall-hung WC pan **110110** - Slim black toilet seat **102419** - TEMPOFIX 3 frame system with TEMPOFLUX 3 time flow direct flush valve **564065DE + 763000**
Toilet roll holder **510083S** - Toilet brush set **4051S**

BCN S WC pan

Wall-hung



- Wall-hung WC pan.
- Compatible with all standard frame systems available on the market.
- Elegant and simple design.
- Bacteriostatic 304 stainless steel.
- Stainless steel thickness: 1.5mm.
- Dual finish is available: bright polished pan interior and polished satin exterior.
- One-piece pressed WC bowl, seam-free for easy maintenance and better hygiene.
- WC bowl surface is polished with rounded edges for easy cleaning.
- Concealed perimetral flushing rim.
- Horizontal water inlet: Ø 55mm.
- Horizontal waste outlet: Ø 100mm.
- Water saving: works with 4L or more of water.
- Pre-drilled holes for fixing the toilet seat. Supplied with stainless steel blanking caps when installed without toilet seat.
- Quick and easy to install from the front thanks to a stainless steel mounting frame.
- Supplied with fixing plate and 6 theft prevention TORX security screws.
- CE marked. Complies with European standard EN 997 for 4L flush.
- Optional toilet seat with lid (see page 47).
- Weight: 12kg.
- 30-year warranty.



110110/110112

For flush valves see the DELABIE catalogue "Water Controls for Public and Commercial Places" (DOC 609UK).

Wall-hung BCN S WC pan			
Polished satin 304 stainless steel		110110	£921.04
Dual finish 304 stainless steel		110112	£1,046.63

: dispatch within 4 weeks : stock item

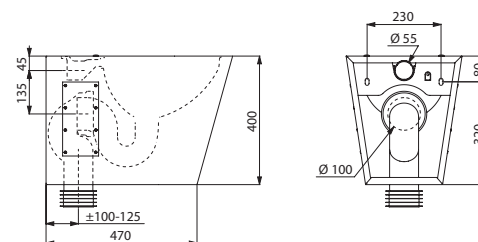
S21 P standard WC pan and 700 P WC pan for people with reduced mobility

Floor-standing

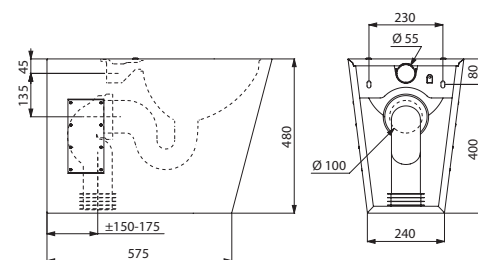
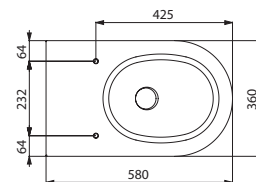


- Floor-standing WC pan.
- Available with 700mm elongated pan for better comfort for people with reduced mobility (700 P).
- Elegant and simple design.
- Bacteriostatic 304 stainless steel.
- Stainless steel thickness: 1.5mm.
- One-piece pressed WC bowl, seam-free for easy maintenance and better hygiene.
- WC bowl surface is polished with rounded edges for easy cleaning.
- Concealed perimetral flushing rim.
- Horizontal water inlet: \varnothing 55mm.
- Horizontal or vertical waste outlet: \varnothing 100mm. Supplied with PVC pipe.
- Water saving: works with 4L or more of water.
- Pre-drilled holes for fixing the toilet seat. Supplied with stainless steel blanking caps when installed without toilet seat.
- Quick and easy to install: 2 access panels with theft prevention TORX security screws.
- CE marked. Complies with European standard EN 997 for 4L flush.
- Optional toilet seat with or without lid (see page 47).
- Available for cross wall installation in service ducts (see page 88).
- Weight: 14kg for the S21 P model; 15kg for the 700 P model.
- 30-year warranty.

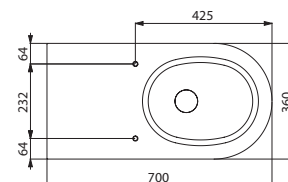
For flush valves see the DELABIE catalogue "Water Controls for Public and Commercial Places" (DOC 609UK).





110300



110700



Floor-standing S21 P WC pan			
Polished satin 304 stainless steel		110300	£1,022.05
Floor-standing 700 P WC pan for people with reduced mobility			
Polished satin 304 stainless steel		110700	£1,152.81

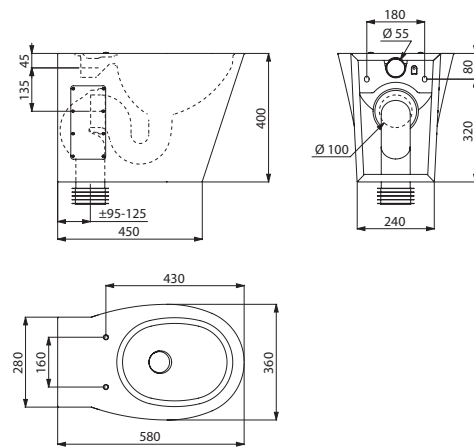
 : dispatch within 4 weeks  : stock item

BCN P WC pan
Floor-standing



WC PANS

- Floor-standing WC pan.
- Elegant and simple design.
- Bacteriostatic 304 stainless steel.
- Stainless steel thickness: 1.5mm.
- One-piece pressed WC bowl, seam-free for easy maintenance and better hygiene.
- WC bowl surface is polished with rounded edges for easy cleaning.
- Concealed perimetral flushing rim.
- Horizontal water inlet: Ø 55mm.
- Horizontal or vertical waste outlet: Ø 100mm. Supplied with PVC pipe.
- Water saving: works with 4L or more of water.
- Pre-drilled holes for fixing the toilet seat. Supplied with stainless steel blanking caps when installed without toilet seat.
- Quick and easy to install: 2 access panels with theft prevention TORX security screws.
- CE marked. Complies with European standard EN 997 for 4L flush.
- Optional toilet seat with lid (see page 47).
- Weight: 12kg.
- 30-year warranty.



110100

For flush valves see the DELABIE catalogue "Water Controls for Public and Commercial Places" (DOC 609UK).

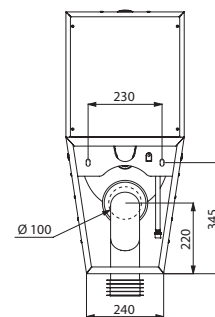
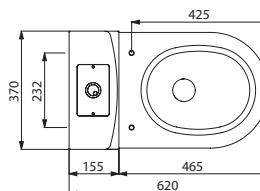
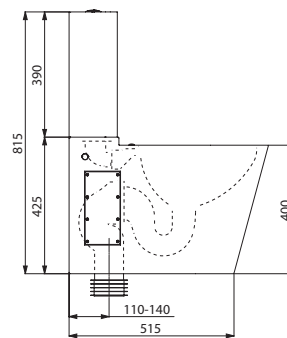
Floor-standing BCN P WC pan Polished satin 304 stainless steel		110100	£1,009.93
--	---	---------------	------------------

 : dispatch within 4 weeks  : stock item

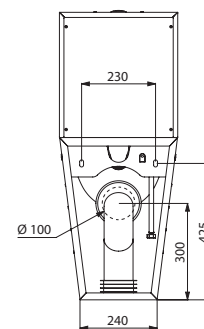
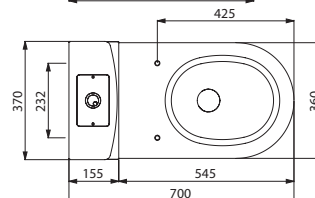
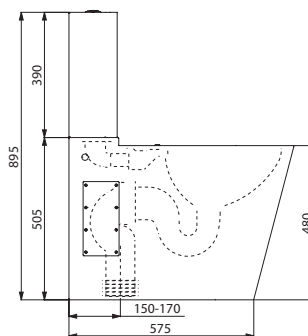
MONOBLOCO S21 standard WC pan and MONOBLOCO 700 PMR WC pan for people with reduced mobility
With cistern



- Floor-standing WC pan with dual flush cistern 3L/6L.
- Available with 700mm elongated pan for better comfort for people with reduced mobility (700 PMR).
- Bacteriostatic 304 stainless steel. Stainless steel thickness: 1.5mm.
- One-piece pressed WC bowl, seam-free for better hygiene.
- WC bowl surface is polished with rounded edges for easy cleaning.
- Concealed perimetral flushing rim. Water supply can be recessed from below or exposed from the side (right/left).
- Recessed horizontal or vertical waste outlet. Supplied with PVC pipe.
- Pre-drilled holes for fixing the toilet seat. Supplied with stainless steel blanking caps when installed without toilet seat.
- Quick to install: 2 access panels with theft prevention TORX security screws.
- CE marked. Complies with European standard EN 997 for 4L flush.
- Optional toilet seat with or without lid (*see opposite*).
- Weight: 21kg for the S21 model; 22kg for the 700 PMR model.
- 30-year warranty.



110390



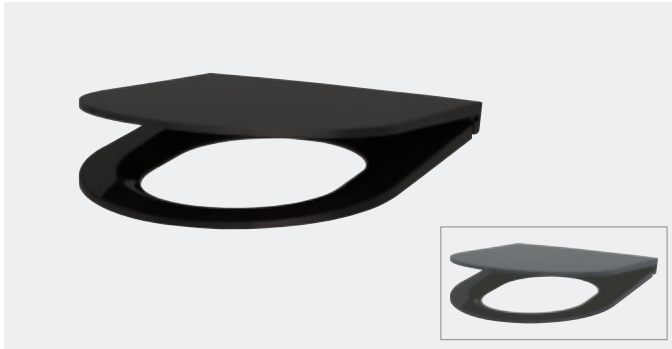
110790

MONOBLOCO S21 close coupled WC pan			
Polished satin 304 stainless steel		110390	£1,559.88
MONOBLOCO 700 PMR close coupled WC pan for people with reduced mobility			
Polished satin 304 stainless steel		110790	£1,789.87

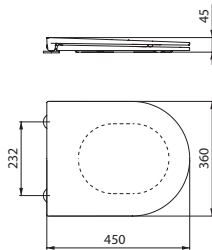
: dispatch within 4 weeks : stock item

Toilet seat for S21 WC model

With lid



- Toilet seat with lid.
- Made from Duroplast.
- With 304 stainless steel hinges.
- Slimline design.
- For S21 WC models.
- Supplied with fixing elements.
- 30-year warranty.

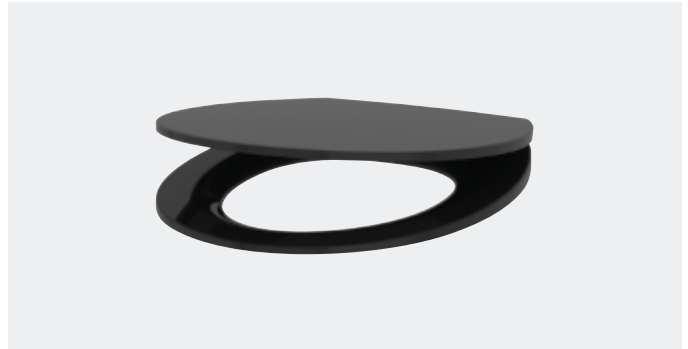


102819/102839

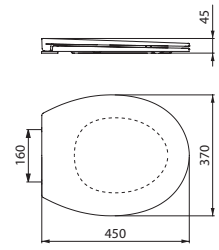
S21 toilet seat with lid			
Black - Slimline design - Duroplast		102819	£67.20
Grey - Slimline design - Duroplast		102839	£67.20

Toilet seat for BCN WC model

With lid



- Toilet seat with lid.
- Made from Duroplast.
- With 304 stainless steel hinges.
- Slimline design.
- For BCN WC models.
- Supplied with fixing elements.
- 30-year warranty.



102419

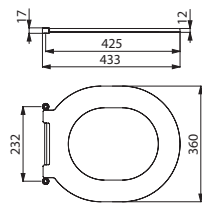
BCN toilet seat with lid		102419	£67.20
Black - Slimline design - Duroplast			

Toilet seat for S21/700 WC models

Vandal-resistant - Without lid



- Toilet seat without lid.
- Polyethylene vandal-resistant model is easy to clean.
- With 304 stainless steel hinges.
- For S21 and 700 WC models.
- Supplied with fixing elements.
- 30-year warranty.



101619

S21/700 toilet seat without lid		101619	£142.70
Black - Polyethylene			

: dispatch within 4 weeks : stock item



Urinals

INDIVIDUAL
URINALS
51



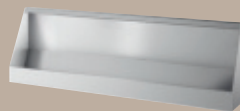
URINAL
DIVIDERS
54



RECESSED AND
FLOOR-STANDING
TROUGH URINALS
56



WALL-HUNG
TROUGH URINALS
58





FINO urinal **135710** - AZA urinal divider **100620** -TEMPOMATIC 4 electronic urinal valve **430SBOX + 430000**

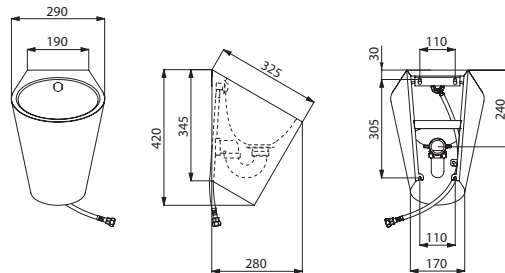
FINO urinal

Rimless

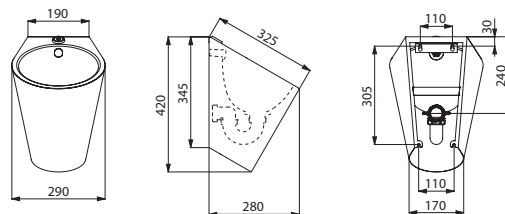


- Wall-hung individual rimless urinal.
- Compatible with all standard frame systems on the market.
- Bacteriostatic 304 stainless steel. Stainless steel thickness: 1.2mm.
- Rear (recessed) or top (exposed) water inlet.
- Recessed or exposed waste outlet. Concealed trap.
- Quick and easy to install from the front thanks to a stainless steel mounting frame.
- Supplied with a 1½" P trap. Supplied with fixing elements.
- CE marked. Complies with European standard EN 13407 for 2L flush.
- Weight: 3.5kg.
- 30-year warranty.




For valves, see recommendations for individual urinals on page 59.



135710



135110

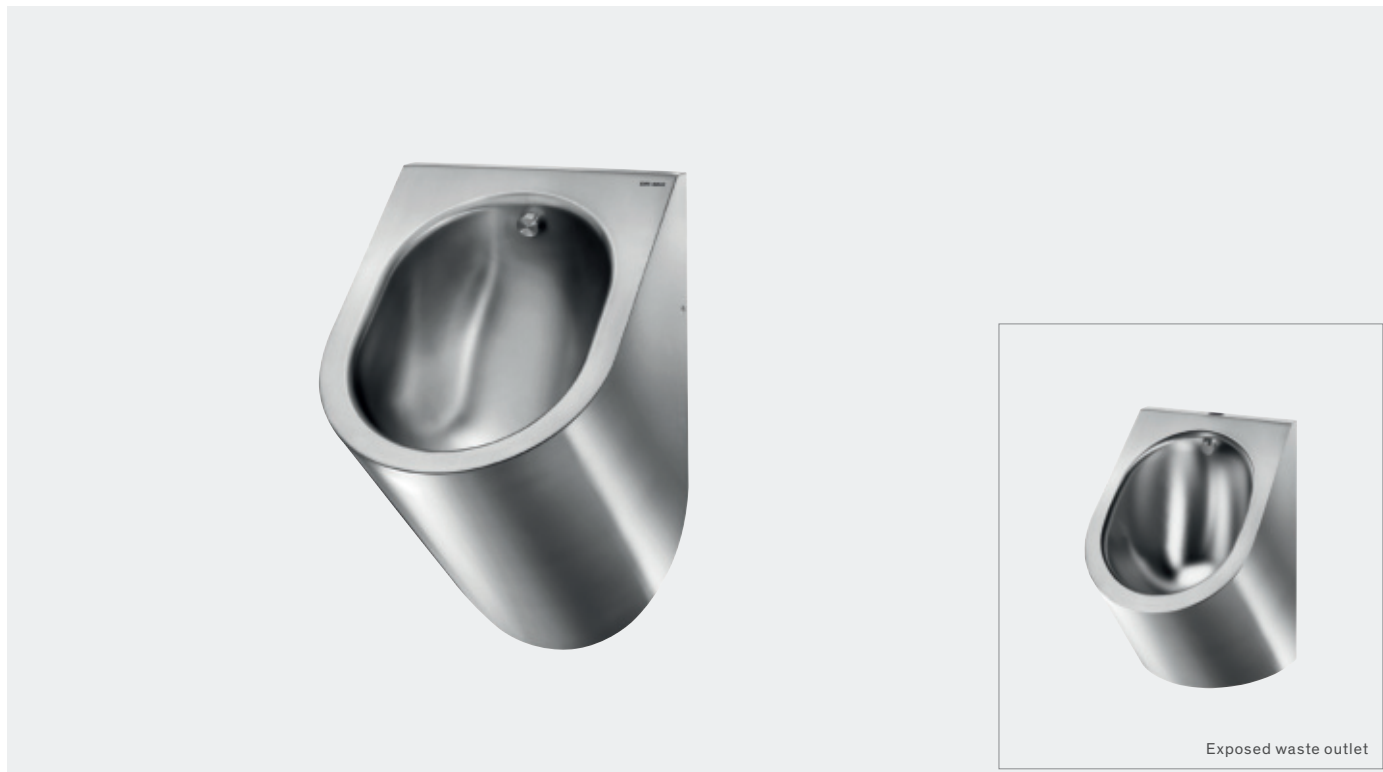
Wall-hung FINO urinal			
Recessed water inlet			
Polished satin 304 stainless steel		135710	£387.63
Exposed water inlet			
Polished satin 304 stainless steel		135110	£387.63
Neck tube		757135	£51.77

 : dispatch within 4 weeks  : stock item



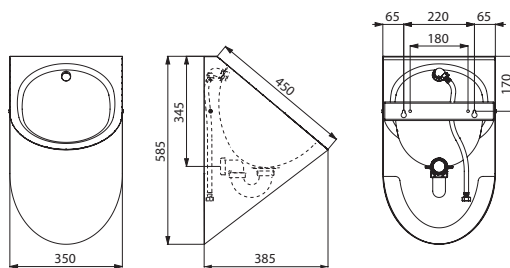
DELTA urinal

Rimless

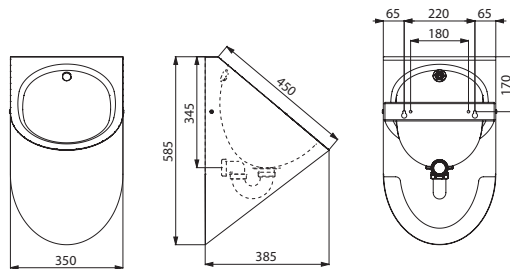


- Wall-hung individual rimless urinal.
- Compatible with all standard frame systems on the market.
- Bacteriostatic 304 stainless steel. Stainless steel thickness: 1.2mm.
- Dual finish is available: bright polished pan interior and polished satin exterior.
- Rear (recessed) or top (exposed) water inlet.
- Recessed or exposed waste outlet. Concealed trap.
- Quick and easy to install from the front thanks to a stainless steel mounting frame.
- Supplied with 1½" P trap, fixing elements and theft prevention TORX security screws.
- CE marked. Complies with European standard EN 13407 for 2L flush.
- Available for cross wall installation in service ducts (see page 94).
- Weight: 7.5kg.
- 30-year warranty.

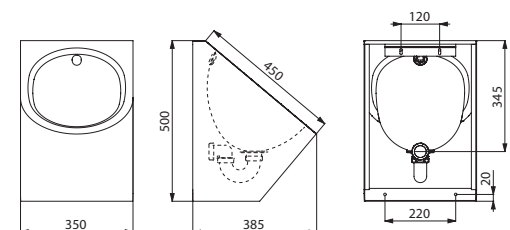
For valves, see recommendations for individual urinals on page 59.



134770/134772



134170



134710

Wall-hung DELTA urinal			
Recessed water inlet			
Polished satin 304 stainless steel		134770	£594.82
Dual finish 304 stainless steel		134772	£764.28
Exposed water inlet			
Polished satin 304 st. steel - Recessed water outlet		134170	£594.82
Polished satin 304 st. steel Exposed or recessed water outlet		134710	£594.82
Neck tube		757162	£64.48

: dispatch within 4 weeks : stock item

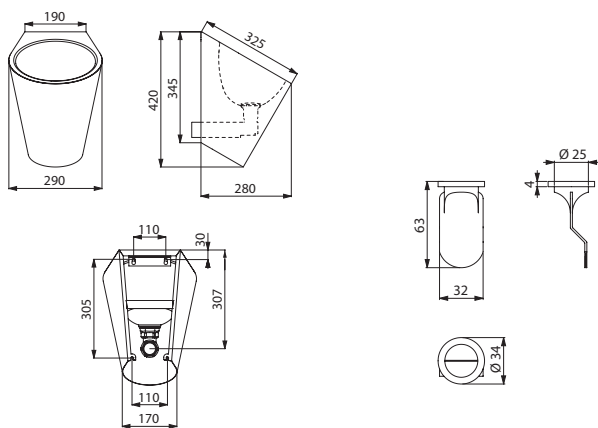
FINO WF urinal

Waterless



- Wall-hung individual waterless urinal.
- Compatible with all standard frame systems on the market.
- Bacteriostatic 304 stainless steel. Stainless steel thickness: 1.2mm.
- Horizontal waste outlet.
- Quick and easy to install from the front thanks to a stainless steel mounting frame.
- 1½" waste outlet.
- Supplied with a silicone membrane, to prevent bad smells, and with fixing elements.
- Weight: 3.5kg.
- 30-year warranty.

Waterless urinals should be rinsed every 2 hours to prevent bad smells and blockages in the pipework.



135010

101309

Wall-hung FINO WF urinal - Waterless			
Polished satin 304 stainless steel		135010	£387.63
Silicone membrane		101309	£49.34

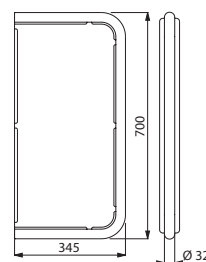
 : dispatch within 4 weeks  : stock item

TU divider

Wall-hung



- Wall-hung urinal divider.
- Bacteriostatic 304 stainless steel.
- Stainless steel thickness: 1.5mm.
- Smooth surface and rounded edges.
- Supplied with fixing elements and theft prevention TORX security screws.
- Weight: 6.2kg.
- 30-year warranty.



100610

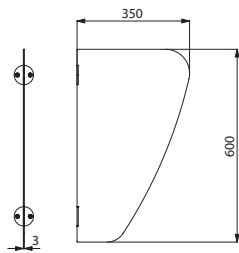
Wall-hung TU urinal divider		100610	£328.87
Polished satin 304 st. steel - Height 700mm			

AZA divider

Wall-hung



- Wall-hung urinal divider.
- Bacteriostatic 304 stainless steel.
- Stainless steel thickness: 3mm.
- Smooth surface and rounded edges.
- Supplied with fixing elements and theft prevention TORX security screws.
- Weight: 4kg.
- 30-year warranty.



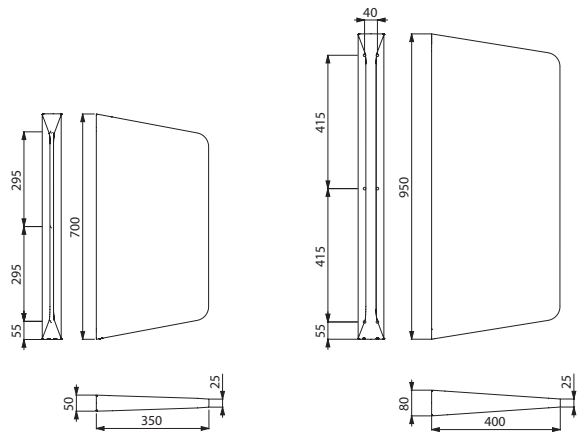
100620

LISO and LISO XL dividers

Wall-hung



- Wall-hung urinal divider.
- Bacteriostatic 304 stainless steel.
- Stainless steel thickness: 1.5mm.
- Smooth surface and rounded edges.
- Concealed fixings.
- Supplied with fixing elements.
- Weight: 8kg for the LISO model; 13kg for the LISO XL model.
- 30-year warranty.



100590

100600

<p>Wall-hung AZA urinal divider Polished satin 304 st. steel - Height 600mm</p>		100620	£239.59
--	--	---------------	----------------

Wall-hung LISO and LISO XL urinal dividers			
Polished satin 304 stainless steel - Height 700mm		100590	£523.77
Polished satin 304 stainless steel - Height 950mm		100600	£586.31

: dispatch within 4 weeks : stock item

DELABIE / Recessed trough urinals

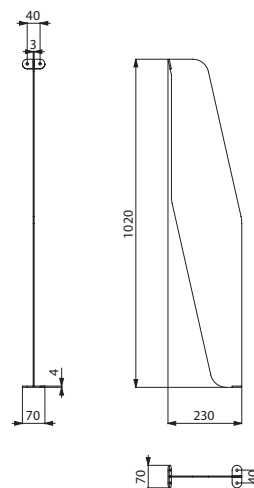
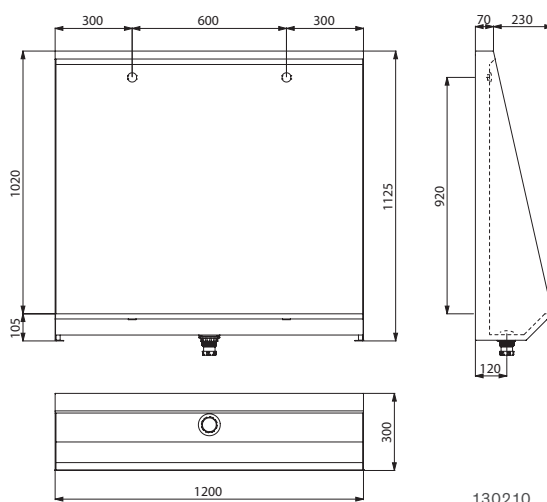
L urinal

Recessed - 1 to 3 services



- Trough urinal for recessing in the floor.
- Bacteriostatic 304 stainless steel. Stainless steel thickness: 1.2mm.
- Rear water inlet.
- Supplied with 1 stainless steel rinser and 1 flexible hose for the 600mm model; 2 stainless steel rinsers and 2 flexible hoses for the 1,200mm model; 3 stainless steel rinsers and 3 flexible hoses for the 1,800mm model.
- Water saving: optimal rinsing with 0.1 L/Sec. per service i.e. 0.3L per use.
- Central drainage.
- Waste outlet 1½". Supplied with waste and integrated trap (ref. 785000).
- Weight: 16.8kg for the 600mm model; 25.4kg for the 1,200mm model; 34kg for the 1,800mm model.
- Possible to add one or more bacteriostatic 304 stainless steel dividers. Fix directly onto the urinal in the desired location.
- 30-year warranty.

For valves, see recommendations for trough urinals on page 59.



L urinal - Rear water inlet			
Polished satin 304 st. steel - 1 service - L. 600mm		130200	£886.97
Polished satin 304 st. steel - 2 services - L. 1,200mm		130210	£1,230.87
Polished satin 304 st. steel - 3 services - L. 1,800mm		130220	£1,654.90
Urinal divider for L trough urinals		100910	£224.11

Available on request: other lengths (600mm - 2,400mm)

: dispatch within 4 weeks : stock item

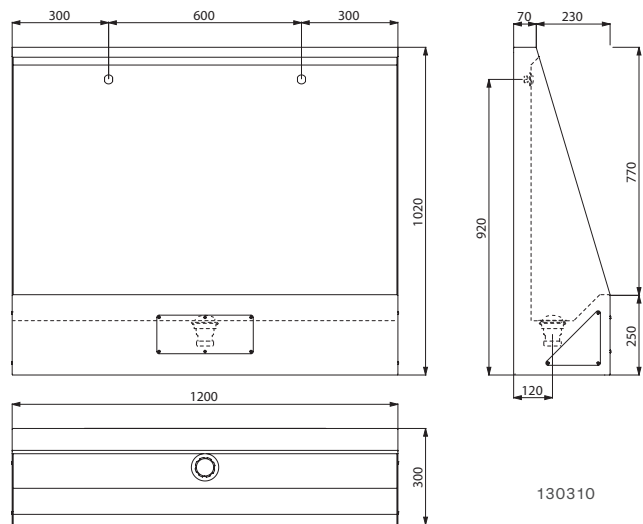
LP urinal

Floor-standing - 1 to 3 services

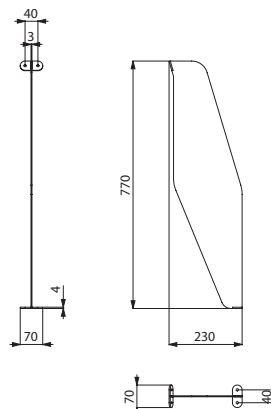


- Floor-standing trough urinal.
- Bacteriostatic 304 stainless steel. Stainless steel thickness: 1.2mm.
- Rear water inlet.
- Supplied with 1 stainless steel rinser and 1 flexible hose for the 600mm model; 2 stainless steel rinsers and 2 flexible hoses for the 1,200mm model; 3 stainless steel rinsers and 3 flexible hoses for the 1,800mm model.
- Water saving: optimal rinsing with 0.1 L/Sec. per service i.e. 0.3L per use.
- Central drainage.
- Waste outlet 1½". Supplied with waste and integrated trap (ref. 785000).
- Easy to install and maintain thanks to access panels with theft prevention TORX security screws.
- Weight: 15.2kg for the 600mm model; 24.2kg for the 1,200mm model; 33.5kg for the 1,800mm model.
- Possible to add one or more bacteriostatic 304 stainless steel dividers. Fix directly onto the urinal in the desired location.
- 30-year warranty.

For valves, see recommendations for trough urinals on page 59.



130310



100920

LP urinal - Rear water inlet			
Polished satin 304 st. steel - 1 service - L. 600mm		130300	£940.71
Polished satin 304 st. steel - 2 services - L. 1,200mm		130310	£1,344.21
Polished satin 304 st. steel - 3 services - L. 1,800mm		130320	£1,679.84
Urinal divider for LP trough urinals		100920	£162.99

Available on request: other lengths (600mm - 2,400mm)

: dispatch within 4 weeks : stock item

DELABIE / Wall-hung trough urinals

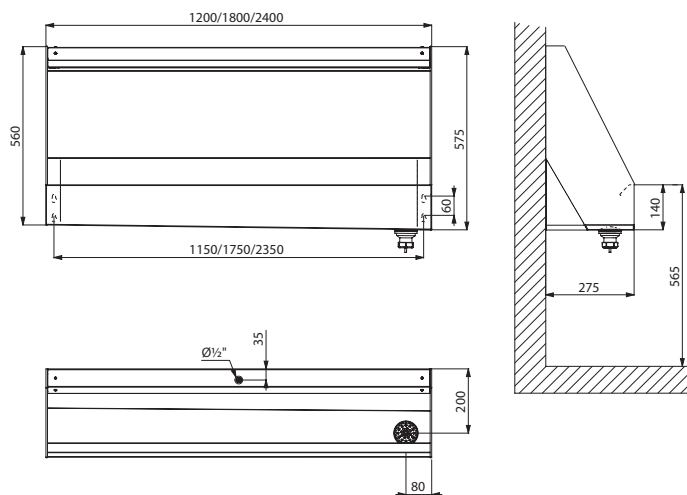
Trough urinal

Wall-hung - 2 to 4 services

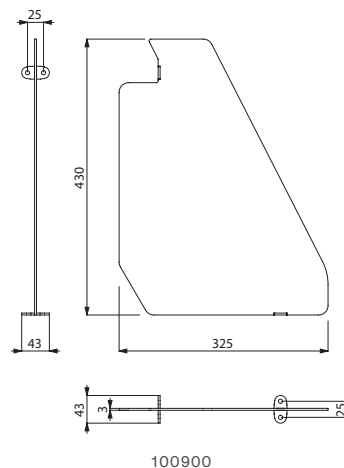


- Wall-hung trough urinal.
- Bacteriostatic 304 stainless steel. Stainless steel thickness: 1.2mm.
- Top water inlet F $\frac{1}{2}$ ".
- Supplied with 1 stainless steel spreader (perforated horizontal pipe) for optimum rinsing of urinal surface.
- Water saving: optimal rinsing with 0.1 L/Sec. per service i.e. 0.3L per use.
- Drainage on the right.
- Waste outlet 1 $\frac{1}{2}$ ".
- Supplied with fixing elements.
- Weight: 17.5kg for the 1,200mm model; 24.8kg for the 1,800mm model; 32.1kg for the 2,400mm model.
- Possible to add one or more bacteriostatic 304 stainless steel dividers. Fix directly onto the urinal in the desired location.
- Installation advice: if you wish to install 2 urinals side-by-side, we recommend ordering one urinal with drainage on the left and one urinal with drainage on the right.
- 30-year warranty.





For valves, see the recommendations for trough urinals opposite.





130100/130110/130120



100900

Wall-hung trough urinal - Top water inlet			
Polished satin 304 st. steel - 2 services - L. 1,200mm		130100	£825.66
Polished satin 304 st. steel - 3 services - L. 1,800mm		130110	£1,073.37
Polished satin 304 st. steel - 4 services - L. 2,400mm		130120	£1,290.74
Urinal divider for trough urinals		100900	£170.38

Available on request: other lengths (600mm - 2,900mm) and left drainage

 : dispatch within 4 weeks  : stock item

Model	Reference	Connection	TIME FLOW VALVES			ELECTRONIC VALVES		
			Classic TEMPOSTOP	Soft-touch TEMPOSOFT TEMPOFLUX	+ Tube	TEMPOMATIC battery-operated	TEMPOMATIC mains	+ Tube
FINO	135710	recessed	-	778BOX + 778700	757430	430PBOX + 430006	430SBOX + 430000	757430
FINO	135710BK	recessed	-	-	-	430PBOX + 430036	430SBOX + 430030	757430
FINO	135110	in-line	777000	777800	757135	479410	-	757135
FINO	135110	angled	778000	778800 or 778759	757135 -	479413	-	-
DELTA	134770 164770	recessed	-	778BOX + 778700	757430	430PBOX + 430006	430SBOX + 430000	757430
DELTA	134170	in-line	777000	777800	757162	479410	-	757162
DELTA	134170	angled	778000	778800 or 778757	757162 -	479414	-	-
L trough	130200 130210 130220	recessed	-	778BOX + 778700	757430	430PBOX + 430006	430SBOX + 430000	757430
LP trough	130300 130310 130320	recessed	-	778BOX + 778700	757430	430PBOX + 430006	430SBOX + 430000	757430
Wall-hung trough urinal	130100 130110 130120	exposed	-	-	-	-	487620	-





Shower trays

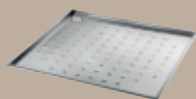
700 X 700
62



800 X 800
62



PMR
63



DELABIE / Shower trays

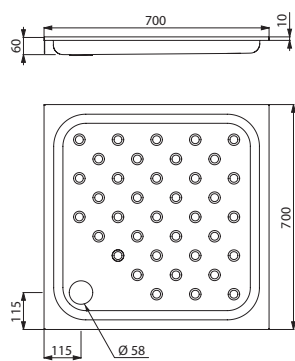
Shower tray 700 × 700

Recessed



- Recessed shower tray.
- Bacteriostatic 304 stainless steel.
- Stainless steel thickness: 1.2mm.
- One-piece pressed shower tray, seam-free for easy maintenance and better hygiene.
- Rounded internal corners for improved safety in the shower.
- Drainage slope.
- Supplied with 1½" waste and trap.
- Non-slip surface.
- CE marked. Complies with European standard EN 14527.
- Weight: 5.5kg.
- 30-year warranty.

For shower controls see the DELABIE catalogue "Water Controls for Public and Commercial Places" (DOC 609UK).



150100

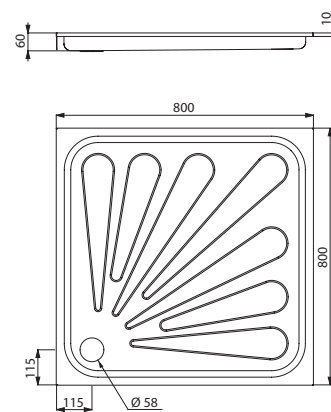
Shower tray 800 × 800

Recessed




- Recessed shower tray.
- Bacteriostatic 304 stainless steel.
- Stainless steel thickness: 1.2mm.
- One-piece pressed shower tray, seam-free for easy maintenance and better hygiene.
- Rounded internal corners for improved safety in the shower.
- Drainage slope.
- Supplied with 1½" waste and trap.
- Non-slip surface.
- CE marked. Complies with European standard EN 14527.
- Weight: 7kg.
- 30-year warranty.


For shower controls see the DELABIE catalogue "Water Controls for Public and Commercial Places" (DOC 609UK).



150300

Recessed shower tray - 700 × 700mm
Polished satin 304 stainless steel - Depth 60mm  150100 **£286.38**

 : dispatch within 4 weeks  : stock item

Recessed shower tray - 800 × 800mm
Polished satin 304 stainless steel - Depth 60mm  150300 **£364.76**

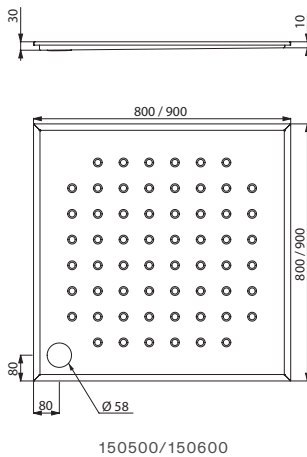
PMR shower tray



Recessed





- Recessed shower tray.
- Suitable for people with reduced mobility: slimline shower tray.
- Bacteriostatic 304 stainless steel.
- Stainless steel thickness: 1.5mm.
- Drainage slope.
- Supplied with 1½" waste and trap.
- Non-slip surface.
- CE marked. Complies with European standard EN 14527.
- Weight: 8.5kg for the 800 × 800mm model;
9.5kg for the 900 × 900mm model.
- 30-year warranty.

For shower controls see the DELABIE catalogue "Water Controls for Public and Commercial Places" (DOC 609UK).



Recessed PMR shower tray			
Polished satin 304 stainless steel 800 × 800mm - Depth 30mm		150500	£477.00
Polished satin 304 stainless steel 900 × 900mm - Depth 30mm		150600	£531.86

 : dispatch within 4 weeks  : stock item



Professional equipment

PROFESSIONAL
HAND WASHBASINS
67



DRINKING
FOUNTAINS
71



SURGICAL SCRUB
UP TROUGHS
73



DISPOSAL SINKS
75



ACCESSIBILITY
SOLUTIONS
78



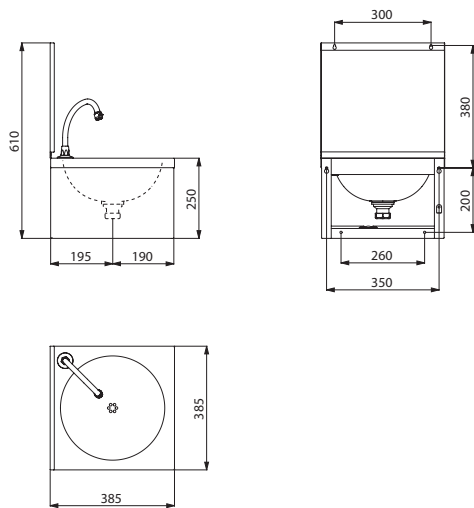


SXS mechanical hand washbasin

Knee-operated



- Wall-mounted, knee-operated hand washbasin.
- Bacteriostatic 304 stainless steel.
- Stainless steel thickness: 0.8mm.
- Rounded edges prevent injury.
- Available with or without splashback.
- Bare model (without tap) or complete model (with tap and pre-mixer).
- Complete model consists of: swan neck spout, soft-touch time flow tap with 7-second time flow and a pre-mixer with non-return valves.
- Flat perforated waste, without screws: easy to clean and vandal-resistant. Without overflow.
- Water savings: flow rate pre-set at 3 lpm.
- Maximum hygiene: no manual contact with tap.
- Supplied with fixing elements.
- CE marked. Complies with European standard EN 14688.
- Weight: 4.3kg.
- 30-year warranty.



182320

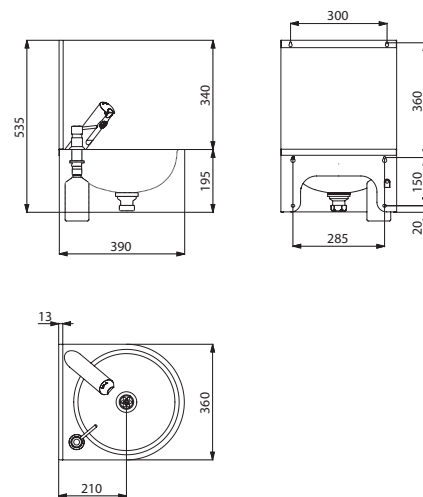
SXS mechanical hand washbasin without tap			
Hand washbasin alone, without splashback		181310	£291.92
Hand washbasin alone, with splashback		181320	£346.47
SXS mechanical hand washbasin with tap and pre-mixer			
Complete hand washbasin without splashback		182310	£509.13
Complete hand washbasin with splashback		182320	£562.74
Soap dispenser		374001	£76.23

SXS electronic hand washbasin

Electronic control



- Wall-mounted hand washbasin with electronic control.
- Bacteriostatic 304 stainless steel.
- Stainless steel thickness: 1.2mm.
- Rounded edges prevent injury.
- Available with or without splashback.
- Supplied with a WRAS approved electronic tap with integrated batteries and solenoid valve, a TMV3 and WRAS approved thermostatic mixing valve and a chrome-plated brass soap or hydroalcoholic gel dispenser
- Supplied with 1 1/4" waste. Without overflow.
- Water savings: flow rate pre-set at 3 lpm.
- Maximum hygiene: no manual contact with tap, reduced-stagnation solenoid valve, duty flush prevents bacterial development.
- Supplied with fixing elements.
- CE marked. Complies with European standard EN 14688.
- Weight: 4.1kg.
- 30-year warranty.



18432015

SXS electronic hand washbasin with tap and soap dispenser			
Complete hand washbasin without splashback		18431015	£771.63
Complete hand washbasin with splashback		18432015	£834.35

: dispatch within 4 weeks : stock item



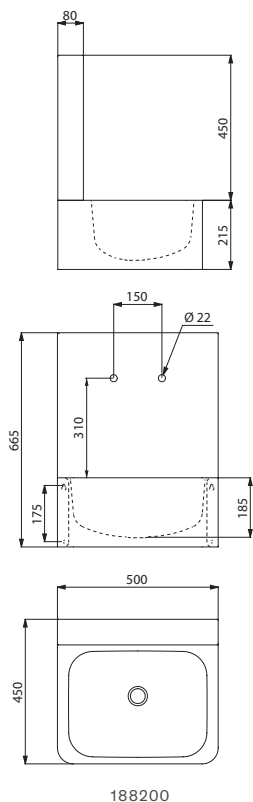
Hygiene hand washbasin

High upstand



- Wall-mounted healthcare washbasin with 450mm upstand.
- Ideal for hospitals, healthcare establishments and medical practices.
- Bacteriostatic 304 stainless steel. Stainless steel thickness: 1.2mm.
- Available with or without tap hole.
- Smooth surface and rounded inside edges for easy cleaning.
- Deep bowl reduces the risk of splashing ensuring a comfortable hand-washing experience.
- Supplied with 1 1/4" waste. Without overflow.
- CE marked. Complies with European standard EN 14688.
- Weight: 10.2kg. 30-year warranty.

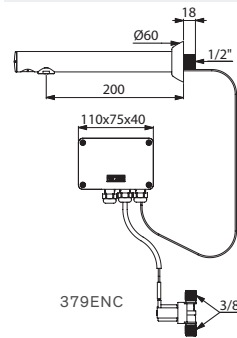
For taps see the DELABIE catalogue "Water Controls for Healthcare Facilities and Retirement Homes" (DOC 900UK).



188200

Hygiene hand washbasins - Polished satin 304 stainless steel			
Without tap holes		188000	£679.40
With 1 single tap hole Ø 22mm centres		188100	£679.40
With 2 single tap hole Ø 22mm with 150mm per service		188200	£679.40
With 2 single tap holes Ø 22mm and Ø 30mm for electronic unit		188300	£679.40

Related products

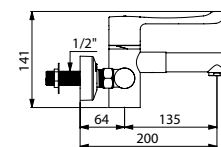


379ENC

BINOPTIC electronic tap

- Scale-resistant flow straightener.
- Spout with smooth interiors and low water volume (reduces niches where bacteria can develop).
- Adjustable duty flush (pre-set flush ~60 seconds every 24 hours after last use).
- Active, infrared presence detection, sensor at the end of the spout optimises detection.
- 230/12V mains supply with transformer.

BINOPTIC tap		379ENC	£437.12
--------------	--	--------	---------

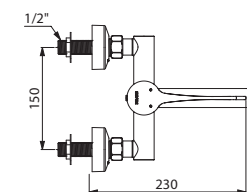


H9614P

SECURITHERM sequential thermostatic mixer

- Sequential : open and closing on cold water.
- Removable BIOCLIP stainless steel spout.
- Body and spout with smooth interiors and low water volume.
- Securitouch thermal insulation to prevent burns.

Sequential thermostatic mixer with BIOCLIP spout		H9614P	£581.50
--	--	--------	---------



2446LEPUK

SECURITHERM EP pressure-balancing mixer

- Anti-scalding safety: HW flow rate is reduced if CW supply fails (and vice versa).
- Body and spout with smooth interior and low water volume.
- Flow rate regulated at 5 lpm.

SECURITHERM EP pressure-balancing mixer		2446LEPUK	£400.61
---	--	-----------	---------

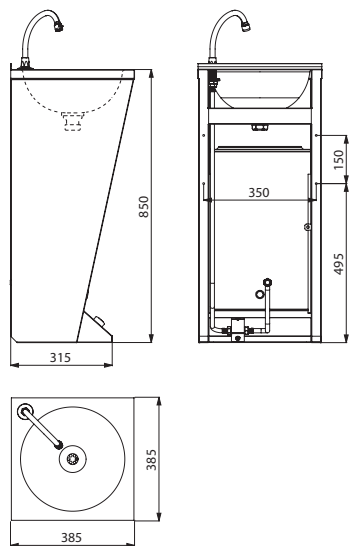
: dispatch within 4 weeks : stock item

SXL hand washbasin


Foot-operated



- Floor-standing, foot-operated hand washbasin.
- Bacteriostatic 304 stainless steel.
- Stainless steel thickness: 0.8mm.
- Supplied with swan neck spout and time flow tap with 7-second time flow.
- Easy to maintain: access panel at the front.
- Supplied with 1¼" waste.
- Without overflow.
- Supplied with fixing elements.
- CE marked. Complies with European standard EN 14688.
- Weight: 10kg.
- 30-year warranty.



180300

Floor-standing SXL hand washbasin with integrated tap Polished satin 304 stainless steel		180300	£747.27
---	---	---------------	----------------

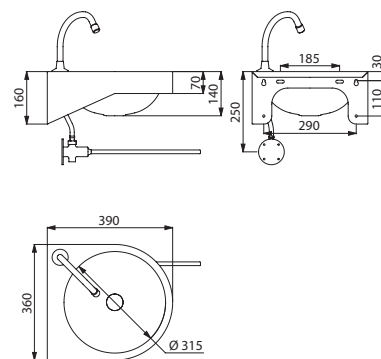
 : dispatch within 4 weeks  : stock item

GENOU hand washbasin


Knee-operated



- Wall-mounted, knee-operated hand washbasin.
- Bacteriostatic 304 stainless steel.
- Stainless steel thickness: 1.2mm.
- Rounded edges prevent injury.
- Supplied with swan neck spout and time flow tap with 7-second time flow.
- Supplied with 1¼" waste.
- Without overflow.
- Supplied with fixing elements.
- CE marked. Complies with European standard EN 14688.
- Weight: 5kg.
- 30-year warranty.



180330

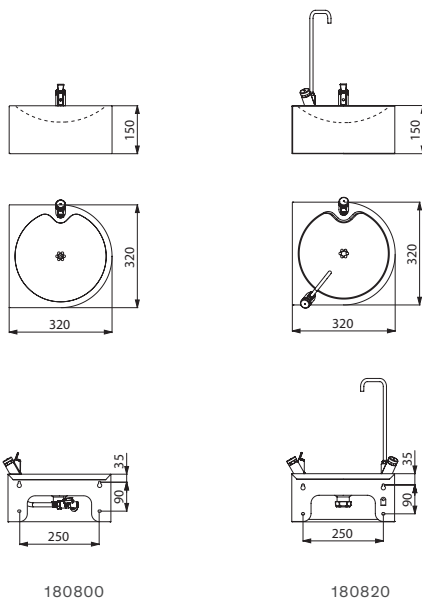
Wall-mounted GENOU hand washbasin with integrated tap Polished satin 304 stainless steel		180330	£461.72
---	---	---------------	----------------

SD drinking fountains

Wall-mounted



- Wall-mounted drinking fountain.
- Bacteriostatic 304 stainless steel. Stainless steel thickness: 1.2mm.
- Rounded edges prevent injury.
- Models with WRAS approved bubbler tap: chrome-plated, instant shut-off and adjustable flow rate, inlet M $\frac{3}{8}$ ".
- Models with WRAS approved swan neck tap for filling water bottles: chrome-plated brass body and stainless steel spout, instant shut-off with adjustable flow rate, M $\frac{3}{8}$ " connection.
- Flat perforated waste, without screws: easy to clean and vandal-resistant.
- Waste outlet 1 $\frac{1}{4}$ ".
- Supplied with fixing elements.
- Weight : 2.4kg to 3kg depending on the model.
- 30-year warranty.



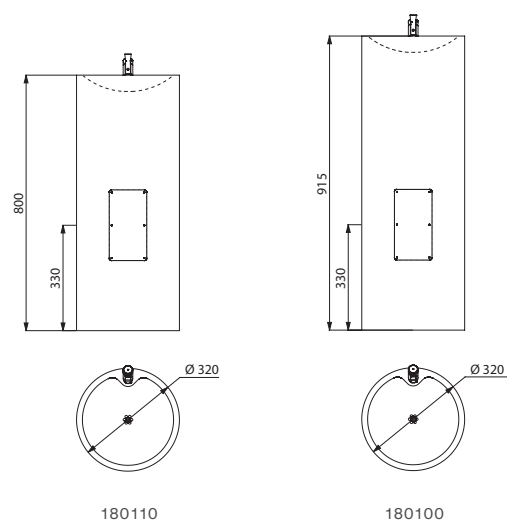
Wall-mounted SD drinking fountains - Polished satin 304 stainless steel			
With bubbler tap		180800	£340.95
With swan neck tap		180810	£395.33
With bubbler and swan neck taps		180820	£489.52

ILHA and ILHA JR drinking fountains

Floor-standing



- Floor-standing drinking fountain.
- Bacteriostatic 304 stainless steel. Stainless steel thickness: 0.8mm.
- Available in two different heights: 915mm and 800mm for children.
- Supplied with a WRAS approved bubbler tap: chrome-plated, instant shut-off and adjustable flow rate, inlet M $\frac{3}{8}$ ".
- Flat perforated waste, without screws: easy to clean and vandal-resistant.
- Recessed vertical water outlet. Waste outlet 1 $\frac{1}{4}$ ".
- Weight: 9kg for the 800mm model; 9.6kg for the 915mm model.
- 30-year warranty.



Floor-standing ILHA and ILHA JR drinking fountains with integrated bubbler tap			
Polished satin 304 stainless steel - Height 915mm		180100	£641.52
Polished satin 304 stainless steel - Height 800mm		180110	£589.28

: dispatch within 4 weeks : stock item

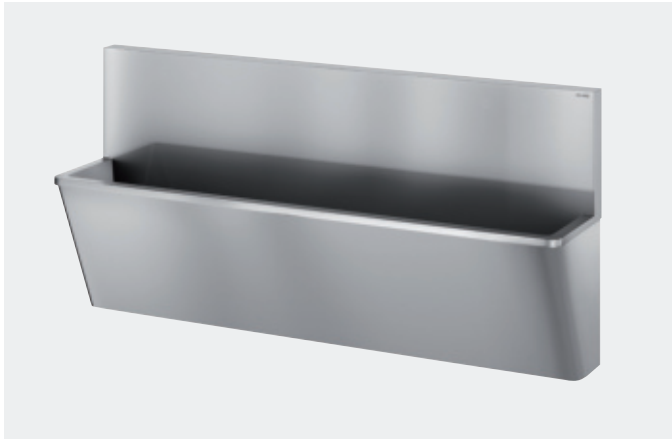
PROFESSIONAL EQUIPMENT



Surgical scrub up trough with high upstand - "Hygiene +" design **187200** - SECURITHERM thermostatic mixer with removable BIOCLIP spout **H9611P** - Paper towel dispenser **6607D**

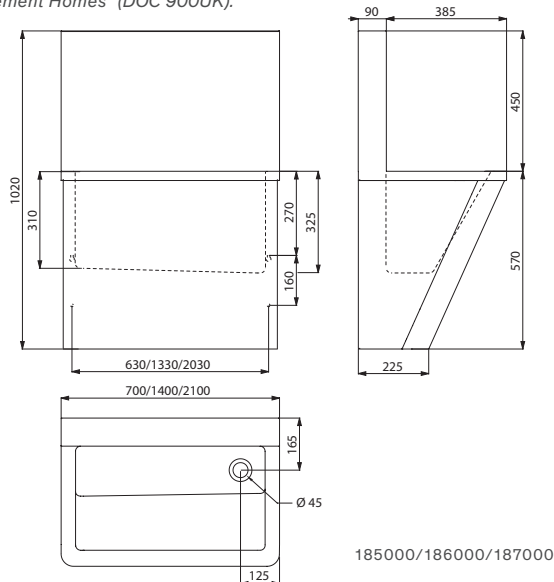
Surgical scrub up trough

High upstand - "Hygiene +" design



- Wall-mounted surgical scrub up trough with 450mm upstand.
- Bacteriostatic 304 stainless steel. Stainless steel thickness: 1.2mm.
- Smooth surface and rounded inside edges for easy cleaning.
- "Hygiene +" design: reduces niches where bacteria can develop, concealed trap, easy to clean.
- Drainage on the right. Without overflow. Supplied with fixing elements and 1¼" waste.
- CE marked. Complies with European standard EN 14296.
- Weight: 20.3kg for the 700mm model; 34.4kg for the 1,400mm model; 48.5kg for the 2,100mm model. 30-year warranty.

For taps see the DELABIE catalogue "Water Controls for Healthcare Facilities and Retirement Homes" (DOC 900UK).

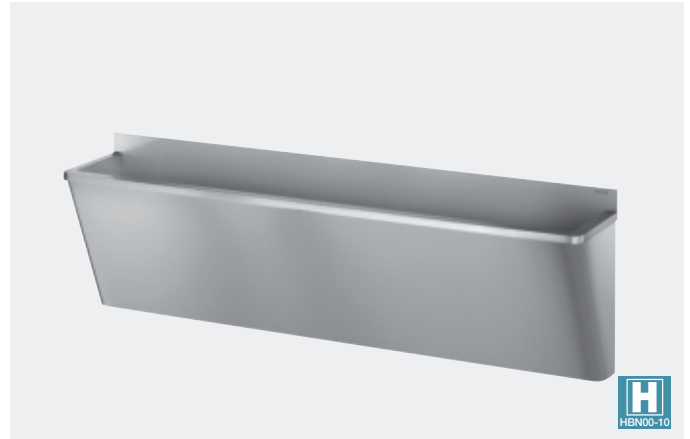


Surgical scrub up trough with high upstand			
Without tap holes			
Polished satin 304 st. steel - L. 700mm - 1 service	⌚	185000	£1,831.91
Polished satin 304 st. steel - L. 1,400mm - 2 services	⌚	186000	£2,265.70
Polished satin 304 st. steel - L. 2,100mm - 3 services	⌚	187000	£2,760.83
With 1 single tap hole Ø 22 per service			
Polished satin 304 st. steel - L. 700mm - 1 service	⌚	185100	£1,831.91
Polished satin 304 st. steel - L. 1,400mm - 2 services	⌚	186100	£2,265.70
Polished satin 304 st. steel - L. 2,100mm - 3 services	⌚	187100	£2,760.83
With 1 twin tap hole Ø 22 with 150mm centres per service			
Polished satin 304 st. steel - L. 700mm - 1 service	⌚	185200	£1,831.91
Polished satin 304 st. steel - L. 1,400mm - 2 services	⌚	186200	£2,265.70
Polished satin 304 st. steel - L. 2,100mm - 3 services	⌚	187200	£2,760.83

Available on request: other lengths (700mm - 2,400mm)

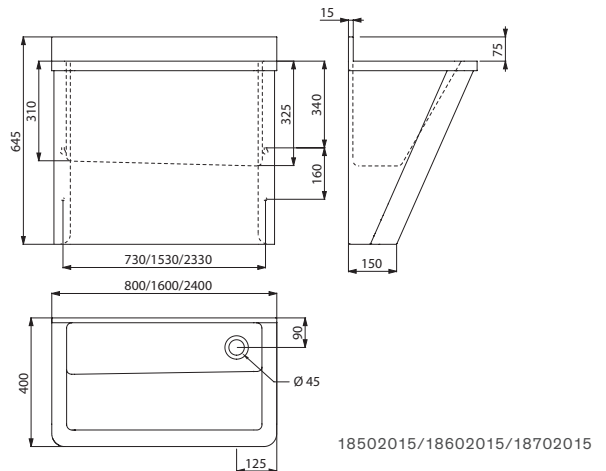
Surgical scrub up trough

Low upstand - "Hygiene +" design



- Wall-mounted surgical scrub up trough with 75mm upstand.
- Complies with the former HTM64 guidance and new Health Building Note 00-10: Part C - Sanitary Assemblies (SU H1, SU H2, SU H3).
- Bacteriostatic 304 stainless steel. Stainless steel thickness: 1.2mm.
- Smooth surface and rounded inside edges for easy cleaning.
- "Hygiene +" design: reduces niches where bacteria can develop, concealed trap, easy to clean.
- Drainage on the right. Without overflow. Supplied with fixing elements and 1¼" waste.
- CE marked. Complies with European standard EN 14296.
- Weight: 17.2kg for the 800mm model; 29.8kg for the 1,600mm model; 42.5kg for the 2,400mm model.
- 30-year warranty.

For taps see the DELABIE catalogue "Water Controls for Healthcare Facilities and Retirement Homes" (DOC 900UK).



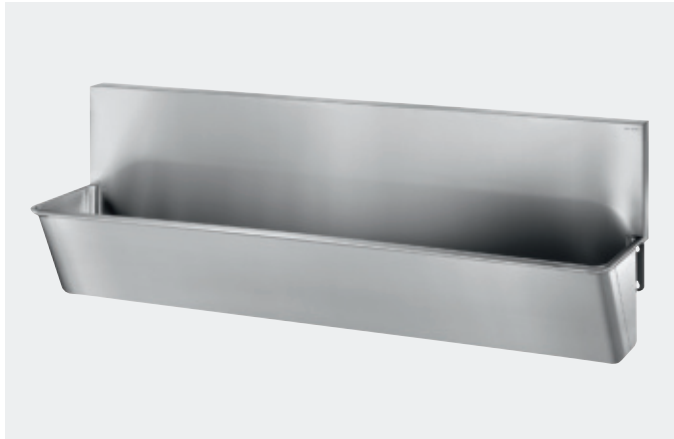
Surgical scrub up trough with low upstand - Without tap hole			
Polished satin 304 st. steel - L. 800mm - 1 service	⌚	18502015	£1,820.97
Polished satin 304 st. steel - L. 1,600mm - 2 services	⌚	18602015	£2,224.12
Polished satin 304 st. steel - L. 2,400mm - 3 services	⌚	18702015	£2,748.24

Available on request: other lengths (700mm - 2,800mm)

⌚ : dispatch within 4 weeks 📦 : stock item

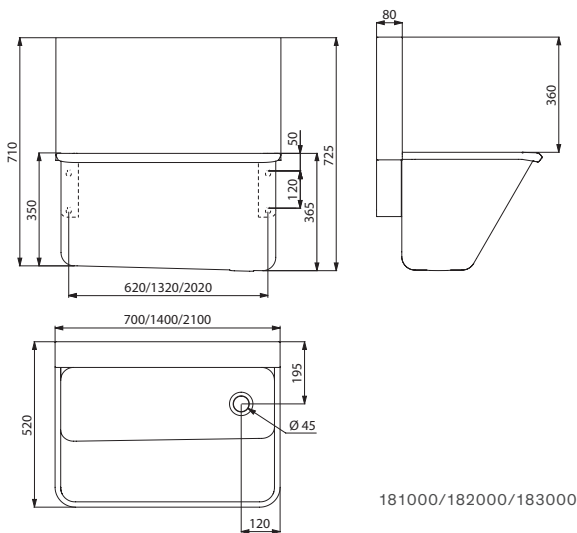
Surgical scrub up trough

High upstand



- Wall-mounted surgical scrub up trough with 360mm upstand.
- Bacteriostatic 304 stainless steel. Stainless steel thickness: 1.2mm.
- Smooth surface and rounded inside edges for easy cleaning.
- Drainage on the right. Without overflow. Supplied with fixing elements.
- CE marked. Complies with European standard EN 14296.
- Weight: 13.8kg for the 700mm model; 24.2kg for the 1,400mm model; 34.9kg for the 2,100mm model.
- 30-year warranty.

For taps see the DELABIE catalogue "Water Controls for Healthcare Facilities and Retirement Homes" (DOC 900UK).



Surgical scrub up trough with high upstand

Without tap holes

Pol. satin 304 st. steel - L. 700mm - 1 service	⌚	181000	£1,505.14
Pol. satin 304 st. steel - L. 1,400mm - 2 services	⌚	182000	£1,854.56
Pol. satin 304 st. steel - L. 2,100mm - 3 services	⌚	183000	£1,962.08

With 1 single tap hole Ø 22mm per service

Pol. satin 304 st. steel - L. 700mm - 1 service	⌚	181100	£1,505.14
Pol. satin 304 st. steel - L. 1,400mm - 2 services	⌚	182100	£1,854.56
Pol. satin 304 st. steel - L. 2,100mm - 3 services	⌚	183100	£1,962.08

With 1 twin tap hole Ø 22mm with 150mm centres per service

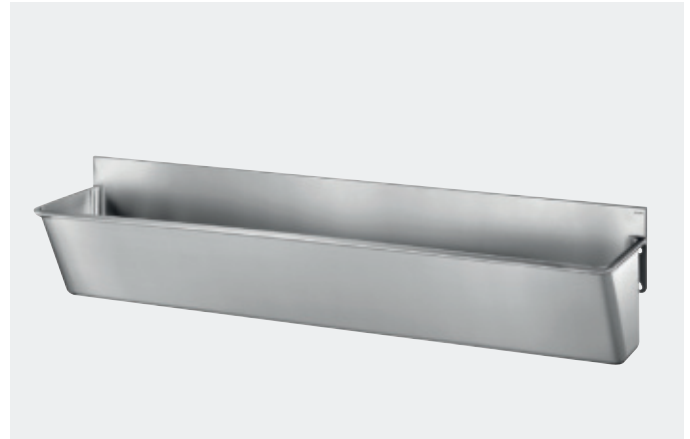
Pol. satin 304 st. steel - L. 700mm - 1 service	⌚	181200	£1,505.14
Pol. satin 304 st. steel - L. 1,400mm - 2 services	⌚	182200	£1,854.56
Pol. satin 304 st. steel - L. 2,100mm - 3 services	⌚	183200	£1,962.08

Available on request: other lengths (700mm - 2,400mm)

⌚ : dispatch within 4 weeks 📦 : stock item

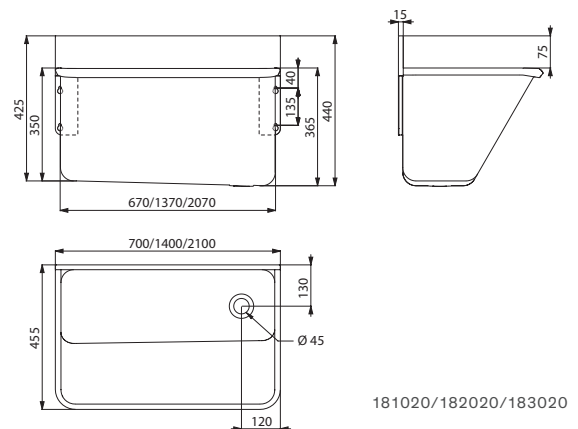
Surgical scrub up trough

Low upstand



- Wall-mounted surgical scrub up trough with 75mm upstand.
- Bacteriostatic 304 stainless steel. Stainless steel thickness: 1.2mm.
- Smooth surface and rounded inside edges for easy cleaning.
- Drainage on the right. Without overflow. Supplied with fixing elements.
- CE marked. Complies with European standard EN 14296.
- Weight: 10.6kg for the 700mm model; 18.8kg for the 1,400mm model; 27kg for the 2,100mm model.
- 30-year warranty.

For taps see the DELABIE catalogue "Water Controls for Healthcare Facilities and Retirement Homes" (DOC 900UK).



Surgical scrub up trough with low upstand - Without tap holes

Pol. satin 304 st. steel - L. 700mm - 1 service	⌚	181020	£1,370.77
Pol. satin 304 st. steel - L. 1,400mm - 2 services	⌚	182020	£1,792.76
Pol. satin 304 st. steel - L. 2,100mm - 3 services	⌚	183020	£1,881.41

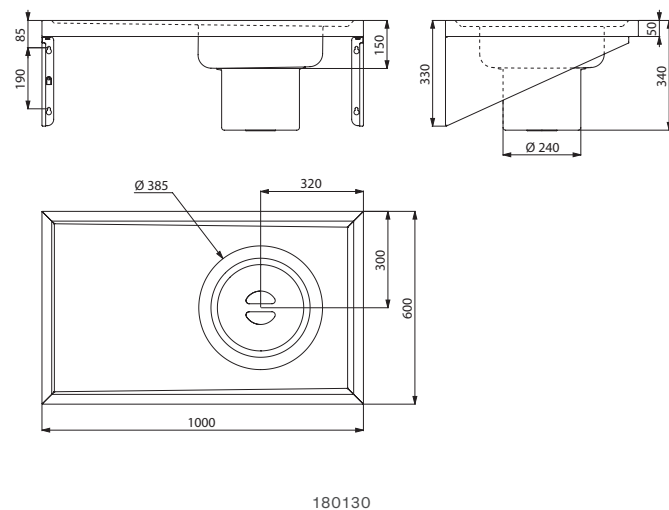
Available on request: other lengths (700mm - 2,800mm)

Plaster sink
Wall-mounted



- Wall-mounted plaster sink.
- Complies with the former HTM64 guidance and new Health Building Note 00-10: Part C - Sanitary Assemblies (PS H).
- Bacteriostatic 304 stainless steel.
- Stainless steel thickness: 1.5mm.
- Smooth surface and flat edges for easy cleaning.
- Suitable for hospitals, other healthcare establishments and leisure centres.
- Supplied with removable plaster basket with lid to filter plaster debris.
- Can be installed in 2 ways: bowl on the right or bowl on the left.
- Waste outlet 1½".
- Supplied with fixing elements.
- Weight: 17kg.
- 30-year warranty.

For taps see the DELABIE catalogue "Water Controls for Healthcare Facilities and Retirement Homes" (DOC 900UK).



180130

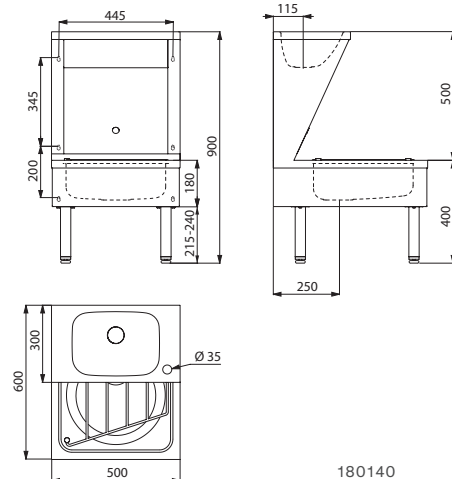
Wall-mounted plaster sink Polished satin 304 stainless steel		180130	£1,357.85
---	--	--------	-----------

Janitorial unit
Floor-standing



- Floor-standing janitorial unit.
- Complies with the former HTM64 guidance and new Health Building Note 00-10: Part C - Sanitary Assemblies (JU).
- Bacteriostatic 304 stainless steel. Stainless steel thickness: 1mm.
- Smooth surface for easy cleaning.
- Adjustable feet height up to 25mm. Hinged stainless steel bucket grid.
- Easy to maintain: access panel at the front.
- Supplied with 1¼" waste for the basin and 1½" waste for the disposal sink.
- Without overflow.
- We recommend the WRAS approved mixer: ref. G66452.
- CE marked. Complies with European standard EN 14688.
- Weight: 22kg. 30-year warranty.

A swivelling tap is recommended: see the DELABIE "Water Controls for Healthcare Facilities and Retirement Homes" (DOC 900UK) and "Water Controls for Professional Catering" (DOC 200UK) catalogues.



180140

Floor-standing janitorial unit with right tap hole Ø 35mm Polished satin 304 stainless steel		180140	£1,174.14
--	--	--------	-----------

: dispatch within 4 weeks : stock item

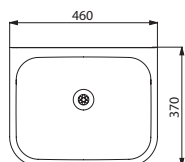
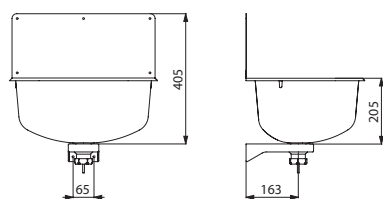
Cleaners' sink with upstand

Wall-mounted

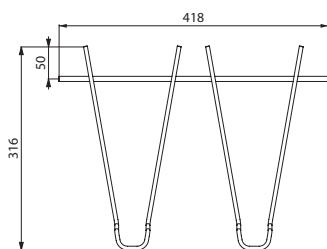
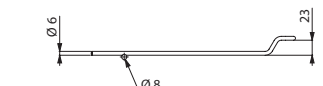


- Wall-mounted cleaners' sink with splashback.
- Bacteriostatic 304 stainless steel. Stainless steel thickness: 0.9mm.
- Seam-free, pressed bowl.
- Deep sink.
- Smooth surface. Rounded edges prevent injury.
- Supplied with 1½" waste. Without overflow.
- Supplied with fixing elements and splashback.
- Option to add a stainless steel hinged, lift-up grid.
- Weight: 4.6kg. 30-year warranty.

For taps see the DELABIE "Water Controls for Healthcare Facilities and Retirement Homes" (DOC 900UK) and "Water Controls for Professional Catering" (DOC 200UK) catalogues.



182400



102400

Wall-mounted cleaners' sink

Polished satin 304 stainless steel		182400	£295.71
Stainless steel hinged grid for model 182400		102400	£55.44

: dispatch within 4 weeks : stock item

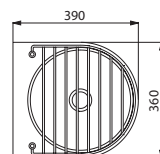
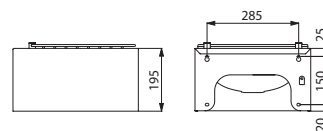
Disposal sink

Wall-mounted



- Wall-mounted disposal sink.
- Bacteriostatic 304 stainless steel.
- Stainless steel thickness: 1.2mm.
- Smooth surface for easy cleaning.
- Hinged stainless steel bucket grid.
- Supplied with 1¼" waste.
- Without overflow.
- Supplied with fixing elements.
- Weight: 5.1kg.
- 30-year warranty.

A wall-mounted tap is recommended: see the DELABIE "Water Controls for Healthcare Facilities and Retirement Homes" (DOC 900UK) and "Water Controls for Professional Catering" (DOC 200UK) catalogues.



180170

Wall-mounted disposal sink Polished satin 304 stainless steel		180170	£378.75
--	--	---------------	----------------

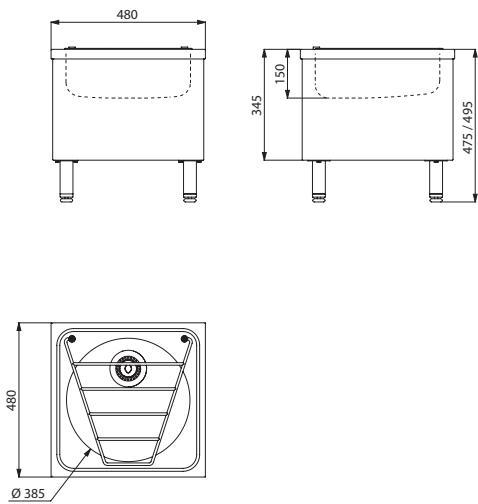
Disposal sink

Floor-standing



- Floor-standing disposal sink.
- Bacteriostatic 304 stainless steel. Stainless steel thickness: 1mm.
- One-piece pressed bowl, seam-free.
- Smooth surface for easy cleaning.
- Adjustable feet height up to 40mm.
- Supplied with 1½" waste. Without overflow.
- Hinged stainless steel bucket grid.
- Weight: 10.6kg.
- 30-year warranty.

A wall-mounted tap is recommended: see the DELABIE "Water Controls for Healthcare Facilities and Retirement Homes" (DOC 900UK) and "Water Controls for Professional Catering" (DOC 200UK) catalogues.



180150

Floor-standing disposal sink Polished satin 304 stainless steel		180150	£754.57
---	--	---------------	----------------

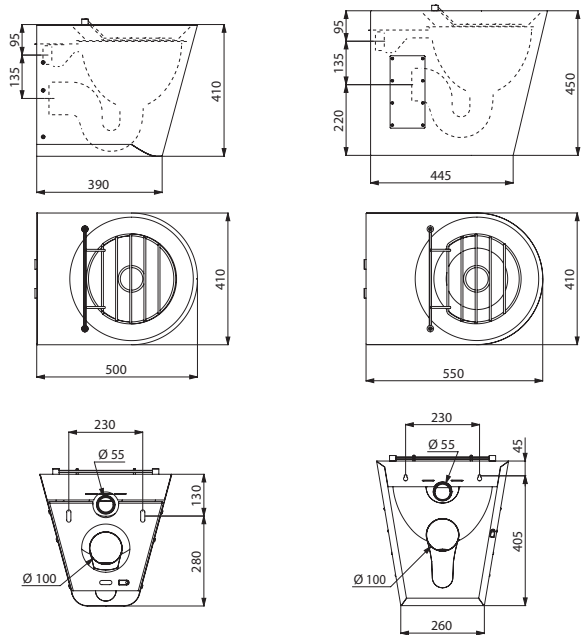
XL S and XL P disposal sink

Wall-mounted or floor-standing



- Wall-mounted or floor-standing disposal sink.
- Bacteriostatic 304 stainless steel. Stainless steel thickness: 1.5mm.
- Smooth surface for easy cleaning.
- Concealed perimetral flushing system.
- Horizontal or vertical water inlet Ø 55mm.
- Horizontal or vertical water outlet Ø 100mm depending on model.
- Concealed drainage: shrouded sink.
- Quick and easy to install: from the front thanks to a stainless steel mounting frame or 2 access panels with theft prevention TORX security screws depending on the model.
- Hinged stainless steel bucket grid.
- Weight: 15kg for wall-mounted model (XL S); 16kg for floor-standing model (XL P). 30-year warranty.

For flush valves see the DELABIE catalogue "Water Controls for Public and Commercial Places" (DOC 609UK).



182160

182060

XL disposal sink - Polished satin 304 stainless steel			
Wall-mounted disposal sink (XL S) Horizontal water inlet		182160	£1,219.27
Floor-standing disposal sink (XL P) Horizontal water inlet		182060	£1,306.79
Floor-standing disposal sink (XL P) Vertical water inlet		182070	£1,306.79

: dispatch within 4 weeks : stock item

PROFESSIONAL EQUIPMENT

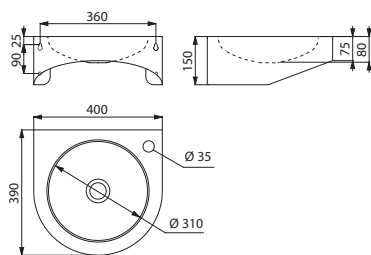
PMR XS hand washbasin

Wall-mounted



- Wall-mounted hand washbasin.
- Basin internal diameter: 310mm.
- Bacteriostatic 304 stainless steel.
- Stainless steel thickness: 1.2mm.
- Rounded edges prevent injury.
- Supplied with 1¼" waste.
- Without overflow.
- Supplied with fixing elements.
- CE marked. Complies with European standard EN 14688.
- Weight: 3.9kg.
- 30-year warranty.

For taps and accessories see the DELABIE "Water Controls for Healthcare Facilities and Retirement Homes" (DOC 900UK) and "Accessibility and Accessories" (DOC 950UK) catalogues.



123400

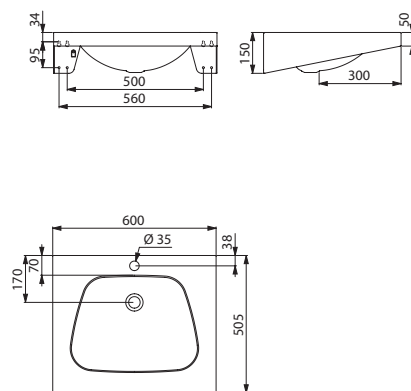
TRAPEZ washbasin

Wall-mounted



- Wall-mounted washbasin, 600 × 505mm.
- Bacteriostatic 304 stainless steel.
- Stainless steel thickness: 1.2mm.
- Rounded edges prevent injury.
- Supplied with 1¼" waste.
- Without overflow.
- Supplied with fixing elements.
- CE marked. Complies with European standard EN 14688.
- Weight: 5.5kg.
- 30-year warranty.

For taps and accessories see the DELABIE "Water Controls for Healthcare Facilities and Retirement Homes" (DOC 900UK) and "Accessibility and Accessories" (DOC 950UK) catalogues.



121270

Wall-mounted PMR XS hand washbasin - Polished satin 304 stainless steel			
Without tap hole		120400	£288.27
With right tap hole Ø 35mm		123400	£288.27

Wall-mounted TRAPEZ washbasin - Polished satin 304 stainless steel			
Without tap hole		120270	£387.69
With central tap hole Ø 35mm		121270	£387.69

: dispatch within 4 weeks : stock item

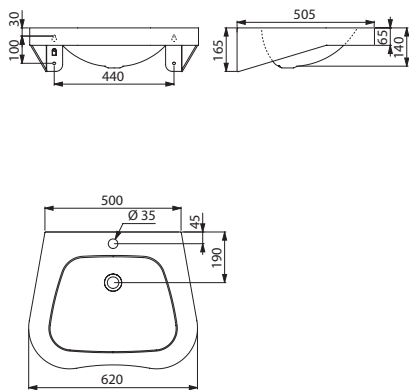
FRAJU PMR washbasin

Wall-mounted



- Wall-mounted washbasin, 620 × 505mm.
- Bacteriostatic 304 stainless steel.
- Stainless steel thickness: 1.2mm for the bowl and 1.5mm for surround.
- Rounded edges prevent injury.
- Supplied with 1¼" waste.
- Without overflow.
- Supplied with fixing elements.
- CE marked. Complies with European standard EN 14688.
- Weight: 5kg.
- 30-year warranty.

For taps and accessories see the DELABIE "Water Controls for Healthcare Facilities and Retirement Homes" (DOC 900UK) and "Accessibility and Accessories" (DOC 950UK) catalogues.



121440

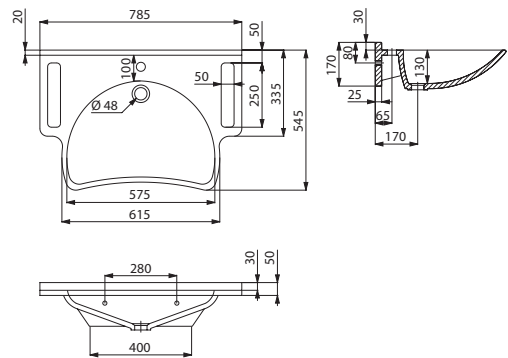
MINERALCAST PMR washbasin

Wall-mounted



- Wall-mounted washbasin, 785 × 545 × 170mm.
- With integral side grips which can be used as a support or a towel holder.
- MINERALCAST: composite material consisting of natural minerals and polyester resin.
- Shallow washbasin.
- Uniform, non-porous surface is easy to clean.
- One-piece cast washbasin, seam-free, for easy maintenance and better hygiene.
- Warm to the touch.
- Without overflow.
- Supplied with fixing elements.
- White, RAL 9016.
- CE marked. Complies with European standard EN 14688.
- Weight: 21.5kg.
- 30-year warranty.

For taps and accessories see the DELABIE "Water Controls for Healthcare Facilities and Retirement Homes" (DOC 900UK) and "Accessibility and Accessories" (DOC 950UK) catalogues.



132306

Wall-mounted FRAJU PMR washbasin - Polished satin 304 stainless steel			
Without tap hole		120440	£437.32
With central tap hole Ø 35mm		121440	£437.32

Wall-mounted MINERALCAST PMR washbasin with central tap hole Ø 35mm		132306	£708.43
---	--	--------	---------

: dispatch within 4 weeks : stock item

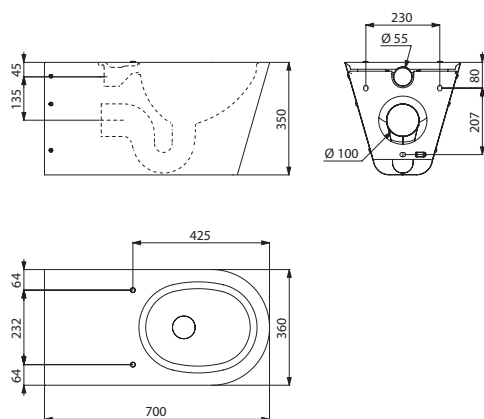
700 S, 700 P and 700 S TC WC pans

Wall-hung or floor-standing



- 700mm elongated pan for improved comfort.
- WC wall-hung model (700 S); floor-standing model (700 P) and WC wall-hung model for cross wall installation in service ducts (700 S TC).
- Bacteriostatic 304 stainless steel. Stainless steel thickness: 1.5mm.
- One-piece pressed WC bowl, seam-free for easy maintenance and better hygiene.
- WC bowl surface is polished with rounded edges for easy cleaning.
- Concealed perimetral flushing rim.
- Horizontal water inlet: Ø 55mm.
- Horizontal waste outlet: Ø 100mm.
- Water saving: works with 4L or more of water.
- CE marked. Complies with European standard EN 997 for 4L flush.
- Weight: 14.5kg for the 700 S model; 15kg for the 700 P model; 16.5kg for the 700 S TC model.
- 30-year warranty.

For flush valves and accessories see the DELABIE "Water Controls for Public and Commercial Places" (DOC 609UK) and "Accessibility and Accessories" (DOC 950UK) catalogues.



110710

WC pan for people with reduced mobility - 700mm Polished satin 304 stainless steel			
Wall-hung WC pan (700 S)		110710	£1,126.65
Floor-standing WC pan (700 P)		110700	£1,152.81
Wall-hung WC pan for installation in service duct (700 S TC)		160710	£1,115.64

: dispatch within 4 weeks : stock item

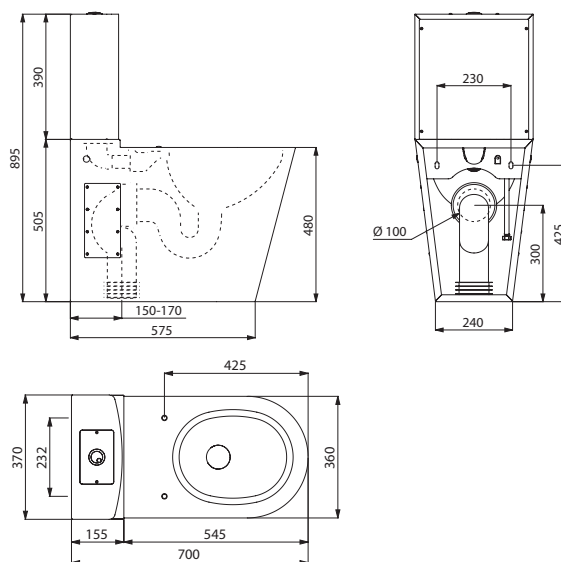
MONOBLOCO 700 PMR WC pan

With cistern



- Floor-standing WC pan with dual flush cistern 3L/6L.
- 700mm elongated pan for improved comfort.
- Bacteriostatic 304 stainless steel. Stainless steel thickness: 1.5mm.
- One-piece pressed WC bowl, seam-free for better hygiene.
- WC bowl surface is polished with rounded edges for easy cleaning.
- Concealed perimetral flushing rim. Water supply can be recessed from below or exposed from the side (right/left).
- Recessed horizontal or vertical waste outlet. Supplied with PVC pipe.
- Pre-drilled holes for fixing the toilet seat. Supplied with stainless steel blanking caps when installed without toilet seat.
- Quick to install: 2 access panels with theft prevention TORX security screws.
- CE marked. Complies with European standard EN 997 for 4L flush.
- Weight: 22kg.
- 30-year warranty.

For accessories see the DELABIE "Accessibility and Accessories" catalogue (DOC 950UK).

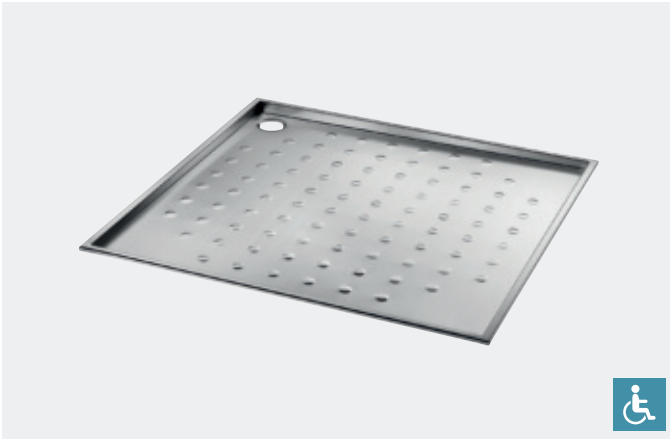


110790

MONOBLOCO 700 PMR WC pan Polished satin 304 stainless steel - With cistern		110790	£1,789.87
--	--	---------------	------------------

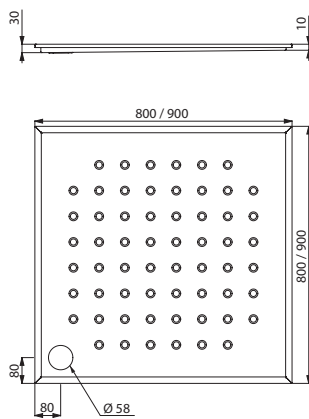
PMR shower tray

Recessed





- Slimline shower tray for recessed installation.
- Bacteriostatic 304 stainless steel.
- Stainless steel thickness: 1.5mm.
- Drainage slope.
- Supplied with 1½" waste and trap.
- Non-slip surface.
- CE marked. Complies with European standard EN 14527.
- Weight: 8.5kg for the 800 × 800mm model;
9.5kg for the 900 × 900mm model.
- 30-year warranty.

For shower controls and accessories see the DELABIE "Water Controls for Healthcare Facilities and Retirement Homes" (DOC 900UK) and "Accessibility and Accessories" (DOC 950UK) catalogues.



150500/150600

Recessed PMR shower tray - Polished satin 304 stainless steel			
800 × 800 - Depth 30mm		150500	£477.00
900 × 900 - Depth 30mm		150600	£531.86

 : dispatch within 4 weeks  : stock item



Secure sector

WASHBASINS
84



WASHBASINS WITH
INTEGRATED TAPS
86



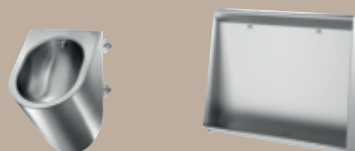
WC PANS
SQUAT WC PANS
88



WASHBASIN
AND WC
COMBINATIONS
91

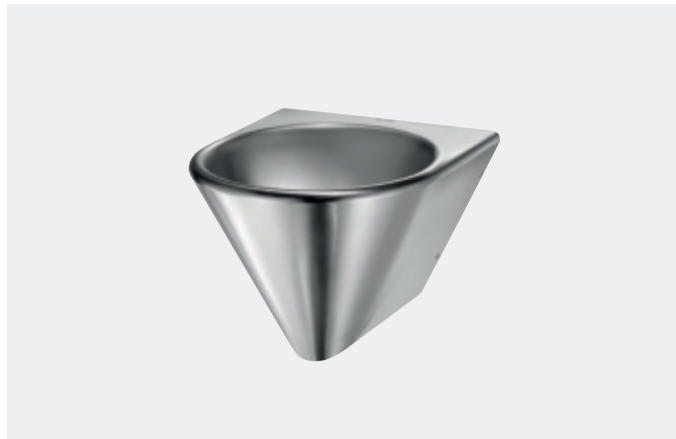


URINALS
94



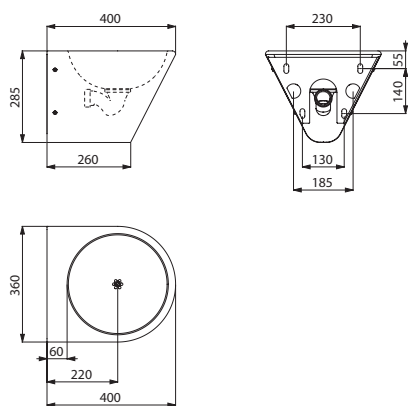
BOB HD hand washbasin

Wall-mounted with concealed drainage



- Wall-mounted hand washbasin.
- Basin internal diameter: 310mm.
- Bacteriostatic 304 stainless steel.
- Stainless steel thickness: 1.2mm.
- Rounded edges prevent injury.
- Vandal-resistant: shrouded basin, concealed trap, and reinforced mounting frame.
- Quick and easy to install from the front thanks to a stainless steel mounting frame.
- Supplied with 1½" waste and trap.
- Without overflow.
- Supplied with fixing elements.
- CE marked. Complies with European standard EN 14688.
- Weight: 5.5 kg.
- 30-year warranty.

For taps see the DELABIE catalogue "Water Controls for Public and Commercial Places" (DOC 609UK).



164130

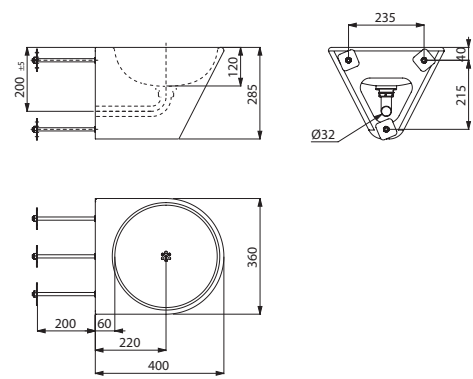
BOB TC hand washbasin

Wall-mounted with concealed drainage



- Wall-mounted hand washbasin, cross wall installation for service ducts.
- Basin internal diameter: 310mm.
- Bacteriostatic 304 stainless steel.
- Stainless steel thickness: 1.2mm.
- Rounded edges prevent injury.
- Vandal-resistant: shrouded basin, concealed trap.
- 200mm threaded rod can be cut to size (other lengths available on request).
- Recessed horizontal waste outlet Ø 32mm.
- Flat perforated waste, without screws: easy to clean and vandal-resistant.
- Without overflow.
- Supplied with fixing elements.
- CE marked. Complies with European standard EN 14688.
- Weight: 5.5 kg.
- 30-year warranty.

For taps see the DELABIE catalogue "Water Controls for Public and Commercial Places" (DOC 609UK).



160130

Wall-mounted BOB HD hand washbasin Polished satin 304 st. steel - Without tap hole		164130	£485.72
---	--	--------	---------

: dispatch within 4 weeks : stock item

Wall-mounted BOB TC hand washbasin Polished satin 304 st. steel - Without tap hole		160130	£485.72
---	--	--------	---------

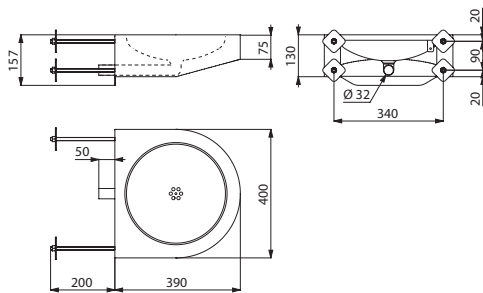
PMR XS TC hand washbasin

Wall-mounted for disabled people



- Wall-mounted hand washbasin, cross wall installation for service ducts.
- Basin internal diameter: 310mm.
- Bacteriostatic 304 stainless steel.
- Stainless steel thickness: 1.2mm.
- Rounded edges prevent injury.
- Vandal-resistant: shrouded basin, concealed trap.
- 200mm threaded rod can be cut to size (other lengths available on request).
- Recessed horizontal waste outlet Ø 32mm.
- Flat perforated waste, without screws: easy to clean and vandal-resistant.
- Without overflow.
- Supplied with fixing elements.
- CE marked. Complies with European standard EN 14688.
- Weight: 4.5kg.
- 30-year warranty.

For taps see the DELABIE catalogue "Water Controls for Public and Commercial Places" (DOC 609UK).



160250

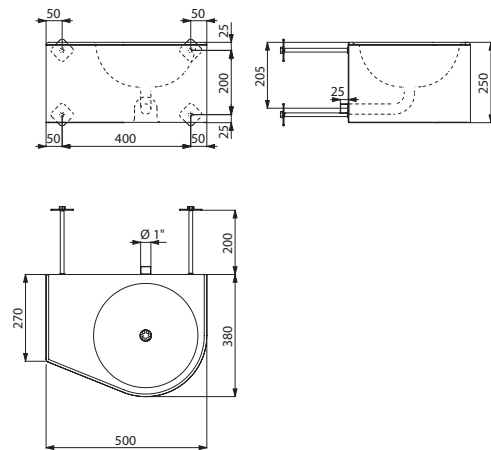
DUO S TC washbasin

Wall-mounted with concealed drainage



- Wall-mounted hand washbasin, cross wall installation for service ducts.
- Integrated countertop.
- 2 models available: right hand basin or left hand basin.
- Basin internal diameter: 310mm.
- Bacteriostatic 304 stainless steel.
- Stainless steel thickness: 1.2mm.
- Rounded edges prevent injury.
- Vandal-resistant: shrouded basin, concealed trap.
- 200mm threaded rod can be cut to size (other lengths available on request).
- Recessed horizontal waste outlet Ø 1".
- Flat perforated waste, without screws: easy to clean and vandal-resistant.
- Without overflow.
- Supplied with fixing elements.
- CE marked. Complies with European standard EN 14688.
- Weight: 8.5kg.
- 30-year warranty.

For taps see the DELABIE catalogue "Water Controls for Public and Commercial Places" (DOC 609UK).



160360

Wall-mounted PMR XS TC hand washbasin Polished satin 304 st. steel - Without tap hole		160250	£431.54
--	--	--------	---------

Wall-mounted DUO S TC washbasin without tap hole			
Polished satin 304 st. steel - Right hand basin		160360	£559.54
Polished satin 304 st. steel - Left hand basin		160370	£559.54

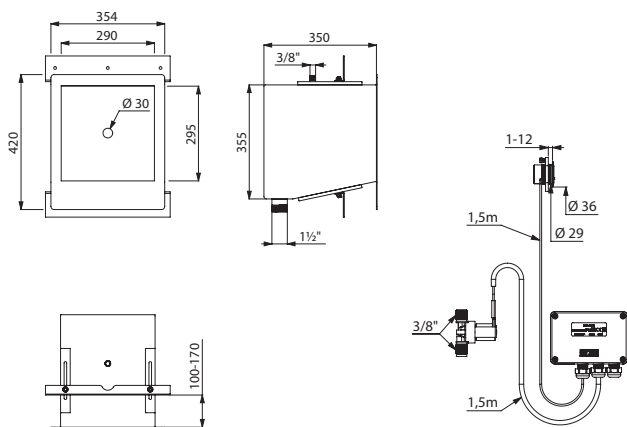
: dispatch within 4 weeks : stock item

COMMISSARIAT hand washbasin

Recessed



- Recessed hand washbasin, cross wall installation for service ducts.
- Interior basin dimensions: 290 × 290 × 350mm.
- Bacteriostatic 304 stainless steel.
- Stainless steel thickness: 2mm.
- Rounded edges prevent injury.
- Suitable for prisons, police stations, etc.
- Vandal-resistant: water inlet and outlet cannot be accessed by user.
- Supplied without water controls.
- Recommended electronic control: ref. 447100.
- Weight: 12.5kg.
- 30-year warranty.



160330

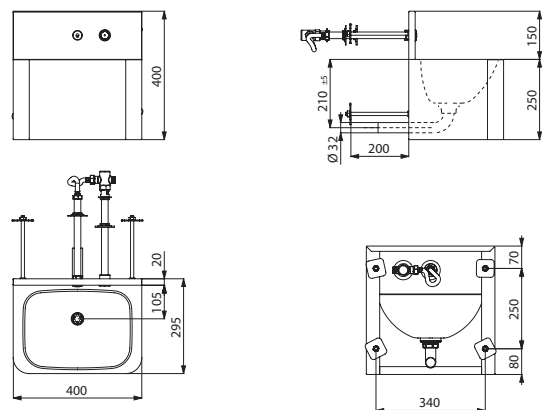
447100

TEK TC washbasin

Concealed drainage and integrated tap



- Wall-mounted washbasin, cross wall installation for service ducts.
- Bacteriostatic 304 stainless steel.
- Stainless steel thickness: 1.2mm.
- Rounded edges prevent injury.
- Vandal-resistant: shrouded basin, concealed trap.
- 200mm threaded rod can be cut to size (other lengths available on request).
- Supplied with 1 time flow tap: stainless steel tamperproof push-button and anti-blocking system, 7-second time flow.
- Recessed horizontal waste outlet Ø 32mm.
- Flat perforated waste, without screws: easy to clean and vandal-resistant.
- Without overflow.
- Supplied with fixing elements.
- CE marked. Complies with European standard EN 14688.
- Weight: 9kg.
- 30-year warranty.



160340

Recessed COMMISSARIAT hand washbasin			
Polished satin 304 stainless steel		160330	£589.80
TEMPOMATIC electronic valve		447100	£503.40

: dispatch within 4 weeks : stock item

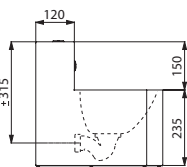
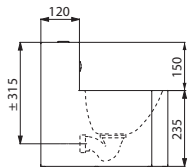
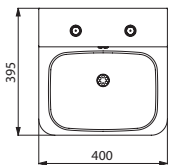
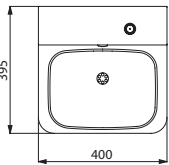
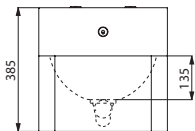
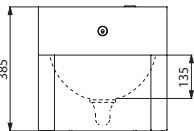
Wall-mtd TEK TC washbasin with integrated tap		160340	£922.34
Polished satin 304 stainless steel			

TEK washbasins

Concealed drainage and integrated tap



- Wall-mounted washbasin.
- Bacteriostatic 304 stainless steel.
- Stainless steel thickness: 1.2mm
- Rounded edges prevent injury.
- Vandal-resistant: shrouded basin, concealed trap.
- Supplied with 1 time flow tap: stainless steel tamperproof push-button and anti-blocking system, 7-second time flow.
- Available with 2 buttons cold/mixed water.
- Flat perforated waste, without screws: easy to clean and vandal-resistant.
- Without overflow.
- Supplied with trap.
- Supplied with fixing elements.
- CE marked. Complies with European standard EN 14688.
- Weight: 8.6kg.
- 30-year warranty.



161340

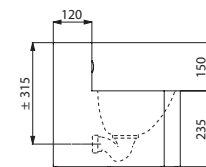
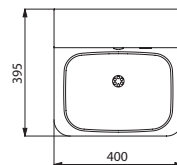
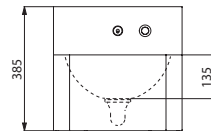
161360

TEK washbasin

Concealed drainage and integrated electronic tap



- Wall-mounted washbasin.
- Bacteriostatic 304 stainless steel.
- Stainless steel thickness: 1.2mm.
- Rounded edges prevent injury.
- Vandal-resistant: shrouded basin, concealed trap.
- Supplied with 1 electronic tap: flow rate pre-set at 3 lpm, infrared presence detection, adjustable duty flush, 230/12V mains supply.
- Flat perforated waste, without screws: easy to clean and vandal-resistant.
- Without overflow.
- Supplied with trap.
- Supplied with fixing elements.
- CE marked. Complies with European standard EN 14688.
- Weight: 8.3kg.
- 30-year warranty.



161440

Wall-mounted TEK washbasin - Polished satin 304 stainless steel			
With integrated tap		161340	£922.34
With integrated tap and 2 buttons cold/mixed water		161360	£1,270.21

Wall-mtd TEK washbasin, integ. electronic tap Polished satin 304 stainless steel		161440	£1,259.33
--	--	--------	-----------

: dispatch within 4 weeks : stock item

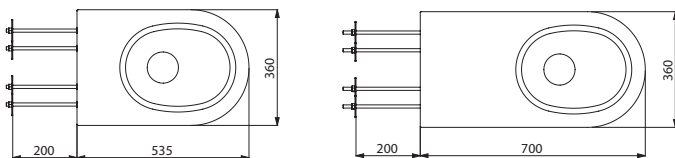
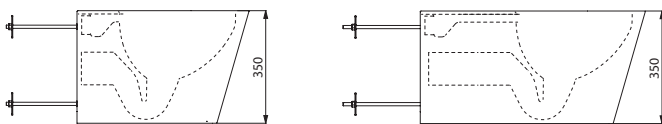
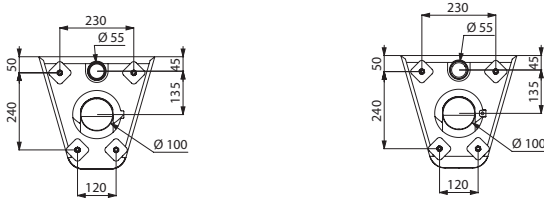
S21 S TC and 700 S TC WC pans

Wall-hung





- Wall-hung WC pan, cross wall installation for service ducts.
- Available with 700mm elongated pan for improved comfort for people with reduced mobility (700 S TC).
- Bacteriostatic 304 stainless steel. Stainless steel thickness: 1.5mm.
- One-piece, pressed WC bowl, seam-free for easy maintenance and better hygiene.
- WC bowl surface is polished with rounded edges for easy cleaning.
- Concealed perimetral flushing rim.
- Horizontal water inlet: Ø 55mm.
- Horizontal waste outlet: Ø 100mm.
- Water saving: works with 4L or more of water.
- 200mm threaded rod can be cut to size (other lengths available on request).
- Shrouded WC pan.
- CE marked. Complies with European standard EN 997 for 4L flush.
- Weight: 11kg for the S21 S TC model; 16.5kg for the 700 S TC model.
- 30-year warranty.



For flush valves see the DELABIE catalogue "Water Controls for Public and Commercial Places" (DOC 609UK).



160310

160710

Wall-hung S21 S TC WC pan			
Polished satin 304 stainless steel		160310	£485.72
Wall-hung 700 S TC WC pan for people with reduced mobility			
Polished satin 304 stainless steel		160710	£1,115.64

 : dispatch within 4 weeks  : stock item

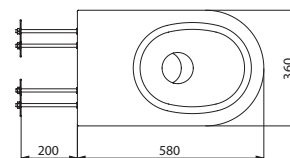
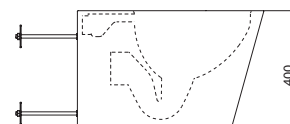
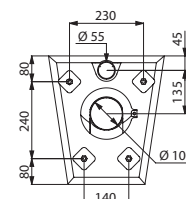
S21 P TC WC pan

Floor-standing



- Floor-standing WC pan, cross wall installation for service ducts.
- Bacteriostatic 304 stainless steel.
- Stainless steel thickness: 1.5mm.
- One-piece, pressed WC bowl, seam-free for easy maintenance and better hygiene.
- WC bowl surface is polished with rounded edges for easy cleaning.
- Concealed perimetral flushing rim.
- Horizontal water inlet: Ø 55mm.
- Horizontal waste outlet: Ø 100mm.
- Water saving: works with 4L or more of water.
- 200mm threaded rod can be cut to size (other lengths available on request).
- CE marked. Complies with European standard EN 997 for 4L flush.
- Weight: 13.5kg.
- 30-year warranty.

For flush valves see the DELABIE catalogue "Water Controls for Public and Commercial Places" (DOC 609UK).



160550

Floor-standing S21 P TC WC pan			160550	£1,016.54
Polished satin 304 stainless steel				

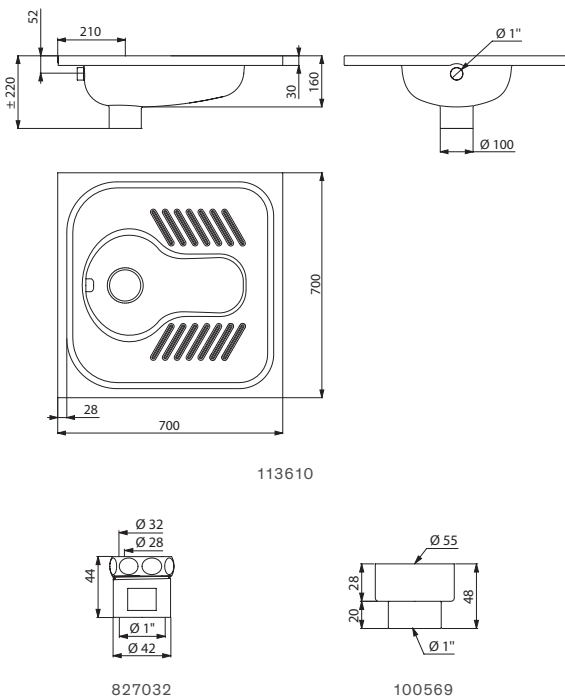
SHA 700 squat WC pan

Recessed



- Floor-recessed squat WC pan.
- Bacteriostatic 304 stainless steel.
- Stainless steel thickness 1.2mm.
- One-piece pressed WC bowl, seam-free for easy maintenance and better hygiene.
- Bowl shape suitable for male and female use.
- Non-slip foot area.
- Waste outlet: Ø 100mm.
- Flushing system with one 304 stainless steel spreader.
- Supplied with stainless steel trap welded to squat WC pan (depending on the model).
- Weight: 6kg for the model without a trap; 8kg for the model with a trap.
- 30-year warranty.

For flush valves see the DELABIE catalogue "Water Controls for Public and Commercial Places" (DOC 609UK).



113610

827032

100569

Recessed SHA 700 squat WC pan - 1 spreader			
Polished satin 304 stainless steel - Without trap		113610	£473.21
Polished satin 304 stainless steel - With trap		113620	£657.70
Flush tube adaptor			
Ø 28-32mm for direct flush		827032	£39.86
Ø 55mm for cistern flush		100569	£45.10

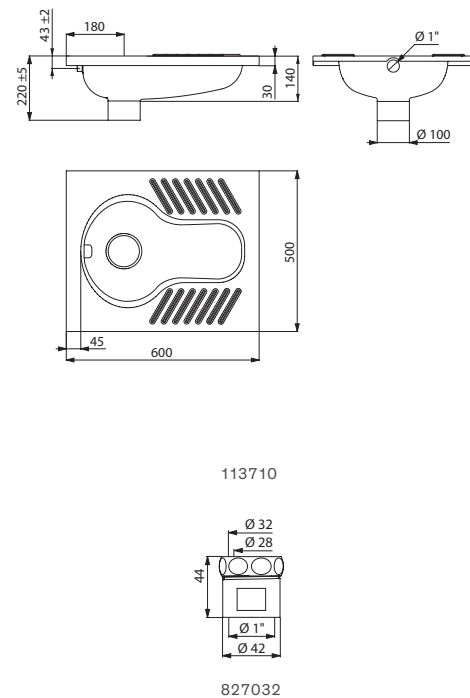
SHA XS squat WC pan

Recessed



- Floor-recessed squat WC pan.
- Bacteriostatic 304 stainless steel.
- Stainless steel thickness 1.2mm.
- One-piece pressed WC bowl, seam-free for easy maintenance and better hygiene.
- Bowl shape suitable for male and female use.
- Non-slip foot area.
- Waste outlet: Ø 100mm.
- Flushing system with one 304 stainless steel spreader.
- Supplied with stainless steel trap welded to squat WC pan (depending on the model).
- Weight: 5kg for the model without a trap; 7kg for the model with a trap.
- 30-year warranty.

For flush valves see the DELABIE catalogue "Water Controls for Public and Commercial Places" (DOC 609UK).



113710

827032

Recessed SHA XS squat WC pan - 1 spreader			
Polished satin 304 stainless steel - Without trap		113710	£369.04
Polished satin 304 stainless steel - With trap		113720	£553.57
Flush tube adaptor			
Ø 28-32mm for direct flush		827032	£39.86

NB: the Ø55mm flush tube adaptor is not suitable for the SHA XS squat WC pan

: dispatch within 4 weeks : stock item

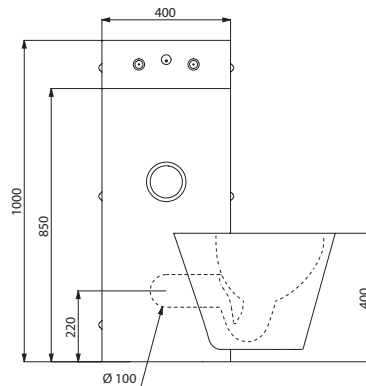


KOMPACT TC combi

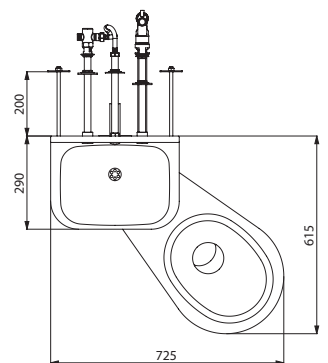
Cross wall installation for service ducts (TC)



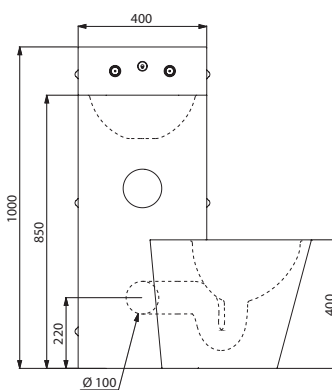
- Combination unit: washbasin and WC pan (hung or floor-standing) with recessed toilet roll holder.
- Service duct installation (cross wall).
- Bacteriostatic 304 stainless steel.
- Stainless steel unit thickness: 2mm.
- Rounded corners and edges for improved safety.
- Smooth surface for easy cleaning.
- Suitable for prisons, police stations, etc.
- WC pan is completely welded to washbasin, no screws: makes cleaning easier and prevents concealment of objects.
- Available with WC pan on the right, left or central to the unit.
- Washbasin equipped with time flow tap: stainless steel tamperproof push-button and anti-blocking system, 7-second time flow, M $\frac{1}{2}$ ".
- WC equipped with time flow flush valve, 7-second time flow, M $\frac{3}{4}$ ".
- Water inlet: washbasin M $\frac{1}{2}$ ", WC M $\frac{3}{4}$ ".
- Recessed horizontal water outlet: \varnothing 100mm.
- 200mm threaded rod can be cut to size (other lengths available on request).
- Weight: 30 kg.
- 30-year warranty.



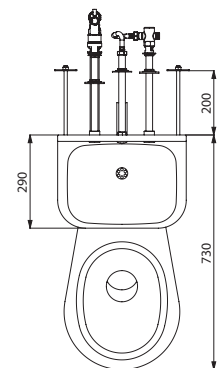
166300



166300/166600



166600



166500/166800

KOMPACT TC combi - Service duct installation (cross wall)

Wall-hung WC

Polished satin 304 st. steel - Right hand WC pan		166300	£2,943.74
Polished satin 304 st. steel - Left hand WC pan		166400	£2,943.74
Polished satin 304 st. steel - Central WC pan		166500	£2,943.74

Floor-standing WC

Polished satin 304 st. steel - Right hand WC pan		166600	£2,943.74
Polished satin 304 st. steel - Left hand WC pan		166700	£2,943.74
Polished satin 304 st. steel - Central WC pan		166800	£2,943.74

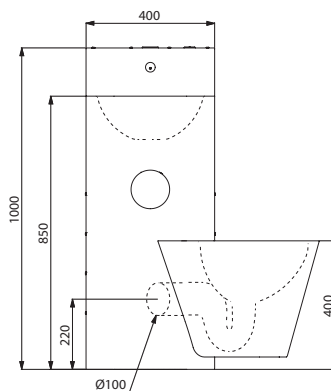
: dispatch within 4 weeks : stock item

KOMPACT combi with cistern

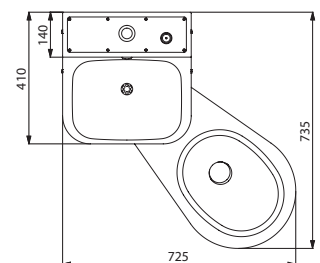
Wall-mounted installation with access panels



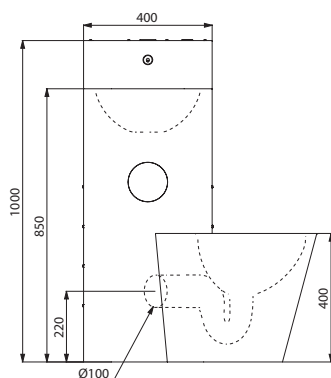
- Combination unit: washbasin and WC pan (hung or floor-standing), with cistern and recessed toilet roll holder.
- Wall-mounted installation with 3 access panels, 2 on the sides and 1 on the top, with theft prevention TORX security screws.
- Bacteriostatic 304 stainless steel.
- Stainless steel unit thickness: 2mm.
- Rounded corners and edges for improved safety.
- Smooth surface for easy cleaning.
- Suitable for prisons, police stations, etc.
- WC pan is completely welded to washbasin, no screws: makes cleaning easier and prevents concealment of objects.
- Available with WC pan on the right, left or central to the unit.
- Washbasin equipped with time flow tap: stainless steel tamperproof push-button and anti-blocking system, 7-second time flow, M $\frac{1}{2}$ ".
- WC fitted with 6-litre cistern.
- Water inlet: washbasin M $\frac{1}{2}$ ", WC M $\frac{3}{8}$ ".
- Recessed horizontal water outlet: \varnothing 100mm.
- Supplied with washbasin trap.
- Easy to install: only one water outlet for both washbasin and WC, water inlet and outlet already connected.
- Weight: 36kg.
- 30-year warranty.



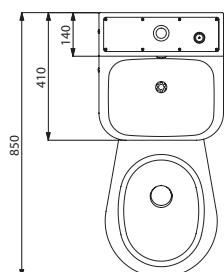
162300



162300/162600



162600



162500/162800

KOMPACT combi with cistern - Wall-mounted installation with access panels

Hung WC pan

Polished satin 304 st. steel - Right hand WC pan		162300	£2,943.74
Polished satin 304 st. steel - Left hand WC pan		162400	£2,943.74
Polished satin 304 st. steel - Central WC pan		162500	£2,943.74

Floor-standing WC pan

Polished satin 304 st. steel - Right hand WC pan		162600	£2,943.74
Polished satin 304 st. steel - Left hand WC pan		162700	£2,943.74
Polished satin 304 st. steel - Central WC pan		162800	£2,943.74

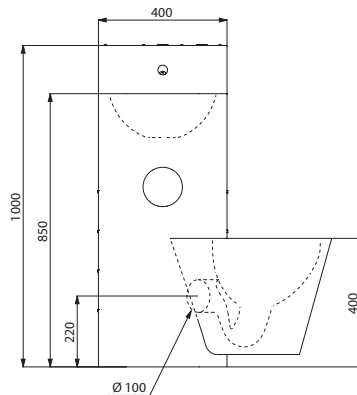
: dispatch within 4 weeks : stock item

KOMPACT combi

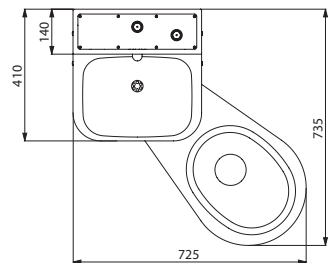
Wall-mounted installation with access panels



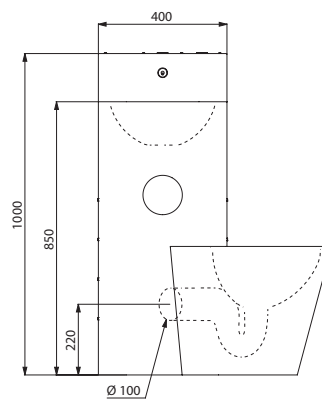
- Combination unit: washbasin and WC pan (hung or floor-standing) with recessed toilet roll holder.
- Wall-mounted installation with 3 access panels, 2 on the sides and 1 on the top, with theft prevention TORX security screws.
- Bacteriostatic 304 stainless steel. Stainless steel unit thickness: 2mm.
- Rounded corners and edges for improved safety.
- Smooth surface for easy cleaning.
- Suitable for prisons, police stations, etc.
- WC pan is completely welded to washbasin, no screws: makes cleaning easier and prevents concealment of objects.
- Available with WC pan on the right, left or central to the unit.
- Washbasin equipped with time flow tap: stainless steel tamperproof push-button and anti-blocking system, 7-second time flow, M $\frac{1}{2}$ ".
- Available with 2 buttons: cold water/mixed water.
- WC equipped with time flow flush valve, 7-second time flow, M $\frac{3}{4}$ ".
- Water inlet: washbasin M $\frac{1}{2}$ ", WC M $\frac{3}{4}$ ".
- Recessed horizontal water outlet: \varnothing 100mm.
- Supplied with washbasin trap.
- Easy to install: only one water outlet for both washbasin and WC, water inlet and outlet already connected.
- Weight: 36kg. 30-year warranty.



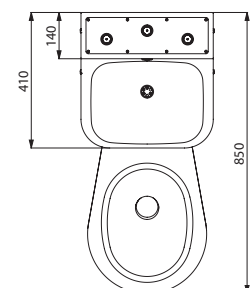
160300



160300/160600



160600



161800

KOMPACT combi - Wall-mounted installation with access panels

Hung WC pan

Polished satin 304 st. steel - Right hand WC pan		160300	£2,943.74
Polished satin 304 st. steel - Left hand WC pan		160400	£2,943.74
Polished satin 304 st. steel - Central WC pan		160500	£2,943.74

Floor-standing WC

Polished satin 304 st. steel - Right hand WC pan		160600	£2,943.74
Polished satin 304 st. steel - Left hand WC pan		160700	£2,943.74
Polished satin 304 st. steel - Central WC pan		160800	£2,943.74

**KOMPACT combi - Wall-mounted installation with access panels
With 2 buttons: cold water/mixed water**

Floor-standing WC

Polished satin 304 st. steel - Right hand WC pan		161600	£3,135.73
Polished satin 304 st. steel - Left hand WC pan		161700	£3,135.73
Polished satin 304 st. steel - Central WC pan		161800	£3,135.73

: dispatch within 4 weeks : stock item

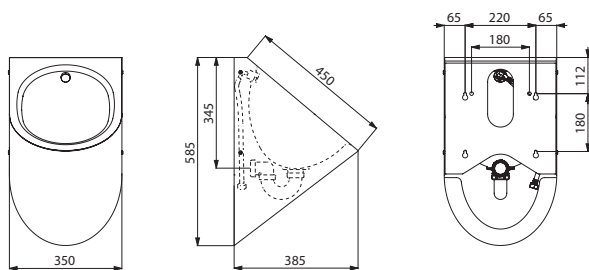
DELTA HD urinal

Rimless



- Wall-hung individual rimless urinal.
- Compatible with all standard frame systems on the market.
- Bacteriostatic 304 stainless steel. Stainless steel thickness: 1.2mm.
- Rear (recessed) water inlet.
- Vandal-resistant: recessed waste outlet, concealed trap, and reinforced mounting frame.
- Quick and easy to install from the front thanks to a stainless steel mounting frame.
- Supplied with 1½" P trap, fixing elements and theft prevention TORX security screws.
- CE marked. Complies with European standard EN 13407 for 2L flush.
- Weight: 7.5kg.
- 30-year warranty.

For valves, see recommendations for individual urinals on page 59.



164770

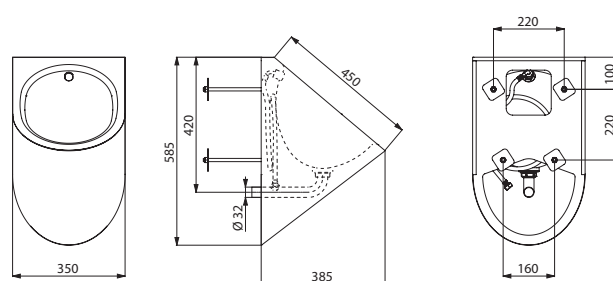
DELTA TC urinal

Rimless



- Wall-hung individual rimless urinal, cross wall installation for service ducts.
- Bacteriostatic 304 stainless steel. Stainless steel thickness: 1.2mm.
- Rear (recessed) water inlet.
- Vandal-resistant: recessed waste outlet, concealed trap.
- 200mm threaded rod can be cut to size (other lengths available on request).
- Supplied with fixing elements.
- CE marked. Complies with European standard EN 13407 for 2L flush.
- Weight: 8kg.
- 30-year warranty.

For urinal valves see the DELABIE catalogue "Water Controls for Public and Commercial Places" (DOC 609UK).



160770

Wall-hung DELTA HD urinal Recessed water inlet - Pol. satin 304 st. steel	🕒	164770	£668.00
--	---	--------	---------

🕒 : dispatch within 4 weeks 📦 : stock item

Wall-hung DELTA TC urinal Recessed water inlet - Pol. satin 304 st. steel	🕒	160770	£668.00
--	---	--------	---------

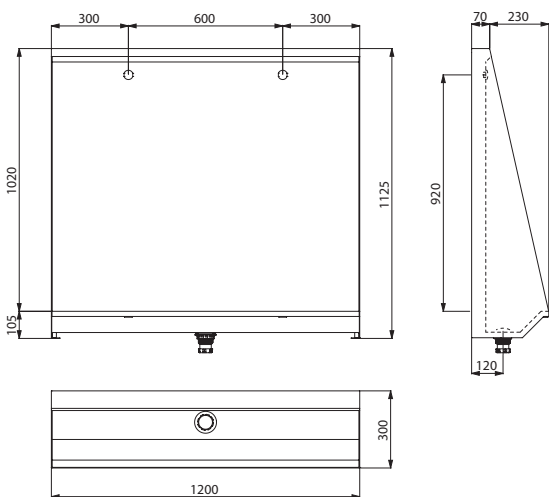
L urinal

Recessed - 1 to 3 services



- Trough urinal for recessing in the floor.
- Bacteriostatic 304 stainless steel. Stainless steel thickness: 1.2mm.
- Rear water inlet.
- Supplied with 1 stainless steel rinser and 1 flexible hose for the 600mm model; 2 stainless steel rinsers and 2 flexible hoses for the 1,200mm model; 3 stainless steel rinsers and 3 flexible hoses for the 1,800mm model.
- Water saving: optimal rinsing with 0.1 L/Sec. per service i.e. 0.3L per use.
- Central drainage.
- Waste outlet 1½". Supplied with waste and integrated trap (ref. 785000).
- Weight: 16.8kg for the 600mm model; 25.4kg for the 1,200mm model; 34kg for the 1,800mm model.
- Possible to add one or more bacteriostatic 304 stainless steel dividers. Fix directly onto the urinal in the desired location.
- 30-year warranty.

For valves, see recommendations for trough urinals on page 59.



130210

L urinal - Rear water inlet			
Polished satin 304 st. steel - 1 service - L. 600mm		130200	£886.97
Polished satin 304 st. steel - 2 services - L. 1,200mm		130210	£1,230.87
Polished satin 304 st. steel - 3 services - L. 1,800mm		130220	£1,654.90
Urinal divider for L trough urinals		100910	£224.11

Available on request: other lengths (600mm - 2,400mm)

: dispatch within 4 weeks : stock item

Certification Advice Reference index

SOLUTIONS FOR COMMERCIAL
PLACES INSPIRATION

98

SANITARY APPLIANCES
CERTIFICATION

106

MAINTENANCE
ADVICE

106

INSTALLATION
ADVICE

107

REFERENCE INDEX

108





THE DAYS OF SMELLY LATRINES AND REPULSIVE SANITARY FACILITIES ARE GONE!

Users' needs have changed. Even if cleanliness is fundamental, comfort and aesthetics also play an important role in upholding the facility manager's or owner's image.

Stainless steel is a prestigious, high quality material, shown at its best in the design of DELABIE's sanitary ware. A toilet, hand washbasin or urinal made from DELABIE's stainless steel have become key architectural elements for sanitary facilities.





THE FIGHT AGAINST VOLUNTARY OR INVOLUNTARY VANDALISM

Stainless steel is a highly resistant and durable material.

DELABIE's stainless steel sanitary ware will withstand heavy loads, abrasions, scratches and chemical products.

In areas requiring secure installations (e.g. prisons), cross wall options are ideal since the components and fixing elements cannot be accessed by the user.





ENVIRONMENTALLY FRIENDLY

Stainless steel is 100% recyclable, contributing to sustainable development and protecting the environment. DELABIE's stainless steel sanitary ware contains 60% recycled stainless steel.

DELABIE's stainless steel sanitary ware requires less energy to manufacture due to the use of advanced technologies (cold pressing, TIG and laser welding).

Lighter than ceramic, their transportation consumes fewer resources.







STAINLESS STEEL, ESSENTIAL FOR HYGIENE

The aseptic qualities of stainless steel have been regularly proven. Stainless steel is bacteriostatic: bacterial retention after cleaning is extremely low, up to 20 times less than for other materials such as glass or plastic.

A thin, invisible protective layer forms continuously when in contact with air or water. If the surface is damaged mechanically, the stainless steel is protected against corrosion.

Particular attention has been paid to designing sanitary ware with limited assembly and reduced numbers of seams to avoid dirt deposits and bacterial niches, and therefore to facilitate cleaning.







SANITARY APPLIANCES CERTIFICATION



What is the CE mark?

The CE mark is a mandatory European marking for all products subject to one or more European Directives. It indicates that the products comply with the essential requirements regarding safety, public health and consumer protection. It gives the products concerned the right of free movement throughout the European Union.

In order to mark its products with the CE mark, a manufacturer must carry out, or have carried out on its behalf, checks and tests which ensure that the product complies with the essential requirements set out in the relevant Directives.

Which sanitary appliances carry the CE mark?

European Standard	Product family
EN 14688	Washbasins
EN 14296	Communal wash troughs and surgical scrub-up troughs
EN 997	WC pans and close coupled WCs with an integral trap
EN 13407	Wall-hung urinals
EN 14527	Shower trays

How do you recognise a CE marked product?

The CE mark is normally displayed on the product or, if not, on the packaging or accompanying documents.

The manufacturer must draw up a CE declaration of conformity (declaration of performance).

In the document the manufacturer states that the product complies with the "essential health and safety requirements" that apply to the product and for which the manufacturer assumes responsibility.

All the CE declarations of conformity (declarations of performance) are available online at www.delabie.co.uk.

What does the CE mark provide for sanitary appliances?

The CE mark guarantees the performance and safety of sanitary appliances for normal use, in particular in terms of hygiene, efficiency and reliability.

The main elements tested, depending on the type of sanitary appliance, are:

- resistance to loads (150kg for washbasins, 400kg for WCs, 100kg for urinals);
- the evacuation of water with no stagnation (washbasins, shower trays);
- resistance to water temperature variations;
- resistance to chemical products and cleaning products (acetic acid, sodium hydroxide, ethanol, sodium hypochlorite, methylene blue, sodium chloride);
- resistance to scratching and abrasion;
- ease of cleaning;
- optimal pan rinsing (WCs and urinals);
- the effective evacuation of residues for WCs (tests with toilet paper and plastic balls);
- no splashing, or splashing outside the toilet bowl (WCs, urinals).

MAINTENANCE ADVICE



Stainless steel is easy to clean and is very durable over the long term.

When stainless steel comes into contact with certain chemical substances or with inappropriate cleaning agents, there is a possible risk of staining or discolouration.

In order to guarantee the stainless steel's properties against corrosion, it is essential to always keep the surface clean.

For everyday cleaning, we recommend following the instructions below:

- use mild soapy water;
- rinse thoroughly with clean water;
- dry with a soft and clean cloth.

Never use abrasive products, scouring powder, bleaching products such as bleach or any other chlorine, acid or alcohol-based products. If the product comes into contact with any of these, rinse thoroughly with clean water.

RECOMMENDED INSTALLATION HEIGHTS (mm)

	Height	Standard installation height	Installation height for PRM*	Installation height for children
Hand washbasins*		800	850	X
Washbasins		850 to 900	800 to 850	550 to 700
Wall-hung WC pans		400 to 430	450 to 500	350 to 390
Urinals		650 to 710	Install urinals at different heights	400 to 500

* **Hand washbasins:** washbasins less than 530mm in width, designed only for hand washing (source: European standard EN 14688).

* **PRM:** People with reduced mobility = People that experience trouble moving around, either temporarily or permanently. For example: the sensory impaired and people suffering from a mental illness, people in wheelchairs, people missing limbs, people of short stature, the elderly, pregnant women, people carrying heavy luggage and people with children (including children in pushchairs).

For more information on the installation of sanitary areas for people with reduced mobility please consult the Space guide found in the DELABIE "Accessibility and Accessories" catalogue (DOC 950UK).

DELABIE / Reference index

REF.	DESCRIPTION	£ (Excl. VAT)	P.	REF.	DESCRIPTION	£ (Excl. VAT)	P.
100209	2 x Bumper for CANAL wash trough	29.58	37	120430	FRAJU basin no tap hole no overflow 304 st steel satin	387.22	29
100240	Splashback L.600 H.300 304 stainless steel satin finish	90.05	37	120440	FRAJU PMR basin no tap hole no overflow 304 st steel satin	437.32	29/79
100250	Splashback L.1200 H.300 304 stainless steel satin finish	145.90	37	120470	HEMI inset basin Ø310 304 satin stainless steel w/o overflow	127.24	17
100260	Splashback L.1400 H.300 304 stainless steel satin finish	162.34	37	120471	HEMI inset basin Ø310 304 bright pol st steel w/o overflow	179.19	17
100280	Splashback L.1800 H.300 304 stainless steel satin finish	201.70	37	120490	HEMI inset basin Ø385 304 satin stainless steel w/o overflow	153.26	17
100300	Splashback L.2400 H.300 304 stainless steel satin finish	288.93	37	120490BK	HEMI inset basin Ø385 matte black st steel w/o overflow	244.52	5
100310	Splashback L.3000 H.300 304 stainless steel satin finish	328.15	37	120491	HEMI inset basin Ø385 304 bright pol st steel w/o overflow	204.78	17
100409	Bracket for surgical scrub trough	56.82	-	120550	MINIMAL basin no tap hole 304 satin st steel w/o overflow	317.90	25
100569	Inlet socket union for squat WC Ø55	45.10	89	120650	QUADRA basin no tap hole 304 satin st steel without overflow	370.84	17
100590	LISO urinal divider 304 stainless steel satin	523.77	55	120650BK	QUADRA basin no tap hole matte black st steel w/o overflow	541.43	5
100600	LISO XL urinal divider 304 stainless steel satin	586.31	55	120652	QUADRA counter top basin no taphole 304 SS satin ext pol int	563.15	17
100610	TU urinal divider 304 stainless steel satin	328.87	54	120710	REDO basin no tap hole 304 satin stainless steel w/o overflow	350.46	24
100620	AZA urinal divider 304 stainless steel satin	239.59	55	120720	REDO-T basin no tap hole 304 satin st steel w/o overflow	716.75	21
100620BK	AZA urinal divider matte black stainless steel	357.57	13	120750	TRIPO RP 3 basins no tap hole 304 satin st steel w/o overflow	1,330.45	33
100900	Divider for wall mtd multi urinal 304 stainless steel satin	170.38	58	120800	FACIL basin no tap hole 304 satin stainless steel w/o overflow	327.91	24
100910	Divider for L recessed multi urinal 304 stainless steel sat.	224.11	56/95	120810	UNITO counter top basin no tap hole no overflow 304 sat SS	390.78	19
100920	Divider for LP free standing urinal 304 stainless steel sat.	162.99	57	120810BK	UNITO counter top basin no tap hole no o/flow matte black SS	519.83	7
100930	Trap cover for FRAJU washbasin	136.16	29	120830	UNITO wall mtd basin no tap hole no overflow 304 satin SS	390.78	23
101309	Silicone membrane for HYBRIMATIC and waterless urinals	49.34	54	121130	BOB wall mtd basin right tap hole Ø35 304 st steel sat	422.37	25
101619	WC seat no lid S21/700 black polyethylene	142.70	47	121150	AQUEDUTO wall mtd basin centre hole Ø35 304 st steel satin	779.71	23
102400	Hinged stainless steel grid for ref 182400	55.44	76	121150BK	AQUEDUTO wall mtd basin centre hole Ø35 matte black st steel	1,062.24	9
102419	Slim WC seat with lid BCN black Duroplast	67.20	47	121170	BAILA basin Ø35 ctr tap hole 304 satin st. steel w/o overflow	600.16	21
102629	*Slim WC seat with lid white Duroplast (while stock)	67.20	-	121180	MINI BAILA basin Ø35 ctr taphole 304 satin st st no overflow	453.55	27
102819	Slim WC seat with lid S21 black Duroplast	67.20	47	121180BK	MINI BAILA basin Ø35 ctr tap hole no o/flow matte black SS	682.08	9
102839	Slim WC seat with lid S21 grey Duroplast	67.20	47	121240	CANAL trough L600 Ø22 tap hole right waste 304 satin st steel	386.54	-
110100	BCN P floor standing WC horizontal inlet 304 st steel satin	1,009.93	45	121250	CANAL trough L1200 2 Ø22 tap holes right waste 304 satin st st	508.56	36
110110	BCN S wall mtd WC horizontal inlet 304 stainless steel satin	921.04	43	121260	CANAL trough L1400 2 Ø22 tap holes right waste 304 satin st st	546.29	-
110112	Wall-hung BCN S WC pan horiz inlet 304 SS satin ext pol int	1,046.63	43	121270	TRAPEZ basin Ø35 ctr tap hole 304 satin st. steel w/o overflow	387.69	28/78
110300	S21 P floor standing WC horizontal inlet 304 st steel satin	1,022.05	44	121280	CANAL trough L1800 3 Ø22 tap holes right waste 304 satin st st	638.80	36
110300BK	S21 P floor standing WC horizontal inlet matte black st st	1,427.53	11	121300	CANAL trough L2400 4 Ø22 tap holes right waste 304 satin st st	755.00	36
110310	S21 S wall mtd WC horizontal inlet 304 stainless steel satin	933.27	41	121310	CANAL trough L3000 5 Ø22 tap holes right waste 304 satin st st	850.81	-
110310BK	S21 S wall mtd WC horizontal inlet matte black st steel	1,308.62	11	121360	LAVANDO basin Ø35 left tap hole 304 satin st steel w/o overflow	428.74	27
110310PAD	S21 S wall mtd WC 304 SS satin + 2 x Black protective pads	997.16	41	121370	LAVANDO basin Ø35 right tap hole 304 satin st steel w/o overflow	428.74	27
110390	MONOBLOCO S21 WC 304 stainless steel satin with cistern	1,559.88	46	121390	DUPLO RP twin basin Ø35 tap hole 304 sat st steel w/o overflow	954.16	33
110390BK	MONOBLOCO S21 WC matte black stainless steel with cistern	1,984.75	11	121430	FRAJU basin Ø35 ctr tap hole 304 satin st. steel w/o overflow	387.22	29
110700	700 P floor standing WC horizontal inlet 304 st steel satin	1,152.81	44/80	121440	FRAJU PMR basin tap hole Ø35 no overflow 304 st steel satin	437.32	29/79
110710	700 S wall mtd WC horizontal inlet 304 stainless steel satin	1,126.65	41/80	121550	MINIMAL basin Ø35 ctr tap hole 304 satin st steel w/o overflow	317.90	25
110710BK	700 S wall mtd WC horizontal inlet matte black st steel	1,581.24	11	121710	REDO basin Ø35 ctr tap hole 304 satin st. steel w/o overflow	350.46	24
110790	MONOBLOCO 700 PMR WC 304 stainless steel satin with cistern	1,789.87	46	121720	REDO-T basin Ø35 ctr tap hole 304 satin st steel w/o overflow	716.75	21
111300	S21 P floor standing WC vertical inlet 304 satin st steel	1,163.02	-	121750	TRIPO RP 3 basins Ø35 tap hole 304 sat st steel w/o overflow	1,330.45	33
111700	700 P floor standing WC vertical inlet 304 satin st steel	1,330.79	-	121800	FACIL basin Ø35 right tap hole 304 satin st steel w/o overflow	327.91	24
113610	Squat WC SHA 700 1 spreader no siphon Ø1" 304 st steel satin	473.21	89	121810	UNITO counter top basin Ø35 ctr hole no overflow 304 sat SS	423.99	19
113620	Squat WC SHA 700 1 spreader w. siphon Ø1" 304 st steel satin	657.70	89	121810BK	UNITO ctr top basin Ø35 ctr hole no o/flow matte black SS	583.29	7
113710	Squat WC SHA XS 1 spreader no siphon 304 st steel satin	369.04	89	121830	UNITO wall mtd basin Ø35 ctr tap hole no o/flow 304 satin SS	423.99	23
113720	Squat WC SHA XS 1 spreader with siphon 304 st steel satin	553.57	89	121830BK	UNITO wallmtd basin Ø35 ctr tap hole no o/flow matte blackSS	570.20	7
120110	ALGUI counter top basin no tap hole 304 st steel satin	436.70	19	122240	CANAL trough L600 no tap hole left waste 304 satin st steel	386.54	-
120110BK	ALGUI counter top basin no tap hole matte black st steel	649.63	7	122250	CANAL trough L1200 no tap hole left waste 304 satin st steel	508.56	36
120112	ALGUI counter top basin no tap hole 304 SS satin ext pol int	569.37	19	122260	CANAL trough L1400 no tap hole left waste 304 satin st steel	546.29	-
120130	BOB wall mtd basin no tap hole 304 st steel satin	422.37	25	122280	CANAL trough L1800 no tap hole left waste 304 satin st steel	638.80	36
120150	AQUEDUTO wall mtd basin no tap hole 304 st steel satin	779.71	23	122300	CANAL trough L2400 no tap hole left waste 304 satin st steel	755.00	-
120150BK	AQUEDUTO wall mtd basin no tap hole matte black st steel	1,062.24	9	122310	CANAL trough L3000 no tap hole left waste 304 satin st steel	850.81	-
120170	BAILA basin no tap hole 304 satin stainless steel w/o overflow	600.16	21	122650	QUADRA basin Ø35 left tap hole 304 satin st steel w/o overflow	370.84	-
120172	BAILA basin no tap hole 304 st steel satin exterior pol int	707.94	21	122800	FACIL basin Ø35 left tap hole 304 satin st steel w/o overflow	327.91	-
120180	MINI BAILA basin no tap hole 304 satin st steel w/o overflow	453.55	27	123240	CANAL trough L600 Ø22 tap hole left waste 304 satin st steel	386.54	-
120182	MINI BAILA basin no tap hole 304 st steel satin ext pol int	575.90	27	123250	CANAL trough L1200 2 Ø22 tap holes left waste 304 satin st st	508.56	-
120240	CANAL trough L600 no tap hole right waste 304 satin st steel	386.54	36	123260	CANAL trough L1400 2 Ø22 tap holes left waste 304 satin st st	546.29	-
120250	CANAL trough L1200 no tap hole right waste 304 satin st steel	508.56	36	123280	CANAL trough L1800 3 Ø22 tap holes left waste 304 satin st st	638.80	-
120260	CANAL trough L1400 no tap hole right waste 304 satin st steel	546.29	36	123300	CANAL trough L2400 4 Ø22 tap holes left waste 304 satin st st	755.00	-
120270	TRAPEZ basin no tap hole 304 satin st. steel w/o overflow	387.69	28/78	123310	CANAL trough L3000 5 Ø22 tap holes left waste 304 satin st st	850.81	-
120280	CANAL trough L1800 no tap hole right waste 304 satin st steel	638.80	36	123400	PMR XS basin vert waste Ø35 right tap hole 304 satin st steel	288.27	28/78
120300	CANAL trough L2400 no tap hole right waste 304 satin st steel	755.00	36	123650	QUADRA basin Ø35 right tap hole 304 satin st st w/o overflow	370.84	-
120310	CANAL trough L3000 no tap hole right waste 304 satin st steel	850.81	36	124170	BAILA basin no tap hole 304 satin stainless steel w/ overflow	638.41	-
120390	DUPLO RP twin basin no tap hole 304 sat st steel w/o overflow	954.16	33	124270	TRAPEZ basin no tap hole 304 satin stainless steel w/ overflow	427.34	-
120400	PMR XS basin vert waste no tap hole 304 satin stainless steel	288.27	28/78	124430	FRAJU basin no tap hole 304 satin stainless steel w/ overflow	430.03	-

References prefixed by * are available while stocks last. References are listed in ascending alphanumerical order.

REF.	DESCRIPTION	£ (Excl. VAT)	P.	REF.	DESCRIPTION	£ (Excl. VAT)	P.
124440	FRAJU PMR basin no tap hole 304 satin st steel with overflow	495.97	-	162500	Combi KOMPACT with cistern WC wall mtd ctr 304 sat st steel	2,943.74	92
124470	HEMI inset basin Ø310 304 satin stainless steel with overflow	147.23	-	162600	Combi KOMPACT cistern WC floor std right 304 sat st steel	2,943.74	92
124471	HEMI inset basin Ø310 304 bright pol st steel with overflow	204.78	-	162700	Combi KOMPACT cistern WC floor std left 304 sat st steel	2,943.74	92
124490	HEMI inset basin Ø385 304 satin stainless steel with overflow	178.86	-	162800	Combi KOMPACT cistern WC floor std centre 304 sat st steel	2,943.74	92
124491	HEMI inset basin Ø385 304 bright pol st steel with overflow	230.36	-	164130	BOB HD wall mtd basin no tap hole 304 satin stainless steel	485.72	84
124550	MINIMAL basin no tap hole 304 satin st steel with overflow	350.43	-	164770	DELTA HD wall mtd urinal back inlet 304 st steel satin	668.00	94
124710	REDO basin no tap hole 304 satin stainless steel with overflow	377.67	-	166300	Combi KOMPACT TC basin WC wall mtd right 304 st steel satin	2,943.74	91
124720	REDO-T basin no tap hole 304 satin st steel with overflow	742.32	-	166400	Combi KOMPACT TC basin WC wall mtd left 304 st steel satin	2,943.74	91
124800	FACIL basin no tap hole 304 satin stainless steel w/ overflow	384.14	-	166500	Combi KOMPACT TC basin WC wall mtd centre 304 st steel satin	2,943.74	91
125170	BAILA basin Ø35 ctr tap hole 304 satin st. steel with overflow	638.41	-	166600	Combi KOMPACT TC basin WC floor std right 304 st steel satin	2,943.74	91
125270	TRAPEZ basin Ø35 ctr tap hole 304 satin st. steel w/ overflow	427.34	-	166700	Combi KOMPACT TC basin WC floor std left 304 st steel satin	2,943.74	91
125430	FRAJU basin Ø35 ctr tap hole 304 satin st steel w/ overflow	430.03	-	166800	Combi KOMPACT TC basin WC floor std centre 304 st steel sat	2,943.74	91
125440	FRAJU PMR basin Ø35 tap hole 304 satin st steel with overflow	495.97	-	180100	ILHA free standing water fountain H915 304 st steel satin	641.52	71
125550	MINIMAL basin Ø35 ctr tap hole 304 satin st steel w/ overflow	350.43	-	180110	ILHA JR free std water fountain H800 304 st steel satin	589.28	71
125710	REDO basin Ø35 ctr tap hole 304 satin st steel w/ overflow	377.67	-	180130	Hospital plaster sink wall mounted 304 stainless steel satin	1,357.85	75
125720	REDO-T basin Ø35 ctr tap hole 304 satin st steel w/ overflow	742.32	-	180140	Floor standing combi basin sink 304 stainless steel satin	1,174.14	75
126800	FACIL basin Ø35 left tap hole 304 satin st steel w/ overflow	384.14	-	180150	Floor standing cleaners sink 304 stainless steel satin	754.57	77
127800	FACIL basin Ø35 right tap hole 304 satin st steel w/ overflow	384.14	-	180170	Wall mounted cleaners sink 304 stainless steel satin	378.75	76
130100	L wall mtd multi urinal L1200 top inlet 304 st steel satin	825.66	58	180300	SXL hand wash free standing right hole Ø22 304 st steel sat	747.27	70
130110	L wall mtd multi urinal L1800 top inlet 304 st steel satin	1,073.37	58	180330	GENOU wall mtd hand wash right tap hole Ø22 304 st steel sat	461.72	70
130120	L wall mtd multi urinal L 2400 top inlet 304 st steel satin	1,290.74	58	180800	SD water fountain with bubbler tap 304 stainless steel satin	340.95	71
130200	L recessed urinal L600 back inlet 304 st steel sat	886.97	56/95	180810	SD water fountain with swan neck tap 304 st steel satin	395.33	71
130210	L recessed multi urinal L1200 back inlet 304 st steel satin	1,230.87	56/95	180820	SD water fountain bubbler tap + swan neck tap 304 st st satin	489.52	71
130220	L recessed multi urinal L1800 back inlet 304 st steel satin	1,654.90	56/95	181000	Surgical scrub trough high upstand L.700 304 st steel satin	1,505.14	74
130300	LP free standing urinal L600 back inlet 304 st steel satin	940.71	57	181020	Surgical scrub trough low upstand L.700 304 st steel satin	1,370.77	74
130310	LP free standing urinal L 1200 rear inlet 304 st steel satin	1,344.21	57	181100	Surgical scrub trough L700 1 tap hole Ø22 304 st steel satin	1,505.14	74
130320	LP free standing urinal L 1800 rear inlet 304 st steel satin	1,679.84	57	181200	Surgical scrub L.700 2 tap holes Ø22 c-c 150 304 st st satin	1,505.14	74
132306	MINERALCAST PMR wall mounted basin L.785 Ø35 centre hole	708.43	31/79	181310	SXS hand washbasin w/o tap 304 satin st steel	291.92	67
134170	DELTA wall mtd urinal top inlet 304 stainless steel satin	594.82	53	181320	SXS hand washbasin w/o tap with upstand 304 satin st steel	346.47	67
134710	DELTA urinal top inlet vertical waste 304 st steel satin	594.82	53	182000	Surgical scrub trough high upstand L.1400 304 st steel satin	1,854.56	74
134770	DELTA wall mtd urinal back inlet 304 stainless steel satin	594.82	53	182020	Surgical scrub trough low upstand L.1400 304 st steel satin	1,792.76	74
134772	DELTA urinal rear inlet 304 st steel satin exterior pol int	764.28	53	182060	XL P floor std disposal sink horiz inlet 304 st steel satin	1,306.79	77
135010	FINO WF wall mounted water free urinal 304 st steel satin	387.63	54	182070	XL P floor std disposal sink vert inlet 304 st steel satin	1,306.79	77
135110	FINO wall mtd urinal top inlet 304 stainless steel satin	387.63	51	182100	Surgical scrub L.1400 2 tap holes Ø22 304 st steel satin	1,854.56	74
135710	FINO wall mtd urinal back inlet 304 stainless steel satin	387.63	51	182160	XL S wall mtd disposal sink horiz inlet 304 st steel satin	1,219.27	77
135710BK	FINO wall mtd urinal back inlet matte black stainless steel	537.53	13	182200	Surgical scrub L.1400 4 tap holes Ø22 c-c150 304 st st satin	1,854.56	74
150100	700x700 shower tray depth 60mm 304 stainless steel satin	286.38	62	182310	SXS hand washbasin mechanical complete 304 satin st steel	509.13	67
150300	800x800 shower tray depth 60mm 304 stainless steel satin	364.76	62	182320	SXS hand washbasin mechanical complete with upstand 304 satin st steel	562.74	67
150500	PMR 800x800 shower tray depth 30mm 304 stainless steel satin	477.00	63/81	182400	Wall mtd sink with splashback 304 pol satin stainless steel	295.71	76
150600	PMR 900x900 shower tray depth 30mm 304 stainless steel satin	531.86	63/81	183000	Surgical scrub trough high upstand L.2100 304 st steel satin	1,962.08	74
160130	BOB TC wall mtd basin no tap hole 304 st steel satin finish	485.72	84/88	183020	Surgical scrub trough low upstand L.2100 304 st steel satin	1,881.41	74
160250	PMR XS TC wall mtd basin no tap hole 304 st steel satin finish	431.54	85	183100	Surgical scrub L.2100 3 tap holes Ø22 304 st steel satin	1,962.08	74
160300	Combi KOMPACT basin WC wall mtd right 304 st steel satin	2,943.74	93	183200	Surgical scrub L.2100 6 tap holes Ø22 c-c150 304 st st satin	1,962.08	74
160310	S21 S TC wall mtd WC horizontal inlet 304 st steel satin	978.39	88	184310	SXS hand washbasin electronic complete 304 satin st steel	705.28	-
160330	COMMISSARIAT SD antivandal rec washbasin st steel satin	589.80	86	18431015	WRAS SXS hand washbasin elect. complete 304 st steel	771.63	67
160340	TEK TC wall mtd basin with integrated tap 304 st steel satin	922.34	86	184320	SXS hand washbasin electronic complete with upstand 304 satin st steel	774.42	-
160360	DUO S TC R wall mtd basin no tap hole 304 st steel satin	559.54	85	18432015	WRAS SXS hand washbasin elect. complete with upstand 304 st steel	834.35	67
160370	DUO S TC L wall mtd basin no tap hole 304 st steel satin	559.54	85	185000	HYGIENE surgical scrub high upstand L.700 304 st steel satin	1,831.91	73
160400	Combi KOMPACT basin WC wall mtd left 304 st steel satin	2,943.74	93	185020	HYGIENE surgical scrub low upstand L.700 304 st steel satin	1,702.33	-
160500	Combi KOMPACT basin WC wall mtd centre 304 st steel satin	2,943.74	93	18502015	HYGIENE surgical scrub low upstand L.800 304 st steel satin	1,820.97	73
160550	WC S21 P TC free standing inline supply 304 st steel satin	1,016.54	88	185100	HYGIENE surgical scrub L700 1 taphole Ø22 304 st steel satin	1,831.91	73
160600	Combi KOMPACT basin WC floor std right 304 st steel satin	2,943.74	93	185200	HYGIENE surg scrub L700 2 tapholes Ø22 c-c150 304 st st sat	1,831.91	73
160700	Combi KOMPACT basin WC floor std left 304 st steel satin	2,943.74	93	186000	HYGIENE surgical scrub high upstand L.1400 304 st st satin	2,265.70	73
160710	700 S TC wall mounted WC horizontal inlet 304 st steel satin	1,115.64	80/88	186020	HYGIENE surgical scrub low upstand L.1400 304 st steel satin	2,084.25	-
160770	DELTA TC wall mtd urinal back inlet 304 st steel satin	668.00	94	18602015	HYGIENE surgical scrub low upstand L.1600 304 st steel satin	2,224.12	73
160800	Combi KOMPACT basin WC floor std centre 304 st steel satin	2,943.74	93	186100	HYGIENE surgical scrub L1400 2 tap holes Ø22 304 st st satin	2,265.70	73
161340	TEK wall mtd basin with integrated tap 304 st steel satin	922.34	87	186200	HYGIENE surg. scrub L.1400 4 tap holes Ø22 c-c150 304 st st	2,265.70	73
161360	TEK HW/CW wall mtd basin with integ. tap 304 st steel satin	1,270.21	87	187000	HYGIENE surgical scrub high upstand L2100 304 st steel satin	2,760.83	73
161440	TEK wall mtd basin + integ electronic tap 304 st steel satin	1,259.33	87	187020	HYGIENE surgical scrub low upstand L.2100 304 st steel satin	2,535.75	-
161600	KOMPACT HW/CW Combi basin WC free stding right 304 st st sat	3,135.73	93	18702015	HYGIENE surgical scrub low upstand L.2400 304 st steel satin	2,748.24	73
161700	KOMPACT HW/CW Combi basin WC free stding left 304 st st sat	3,135.73	93	187100	HYGIENE surgical scrub L2100 3 tap holes Ø22 304 st st satin	2,760.83	73
161800	KOMPACT HW/CW Combi basin WC free std centre 304 st st sat	3,135.73	93	187200	HYGIENE surg. scrub L.2100 6 tap holes Ø22 c-c150 304 st st	2,760.83	73
162300	Combi KOMPACT with cistern WC wall mtd right 304 sat st st	2,943.74	92	188000	Satin finish 304 st st hygiene hand washbasin w/ high upstand	679.40	69
162400	Combi KOMPACT with cistern WC wall mtd left 304 sat st steel	2,943.74	92	188100	Satin finish 304 st st hygiene hand washbasin w/ 1 taphole Ø22	679.40	69

References prefixed by * are available while stocks last. References are listed in ascending alphanumeric order.

DELABIE / Reference index

REF.	DESCRIPTION	£ (Excl. VAT)	P.	REF.	DESCRIPTION	£ (Excl. VAT)	P.
188200	Satin finish 304 st st hyg hand washbasin 2 tapholes Ø22 c150	679.40	69	454180	MINERALCAST wall mtd basin L1800 3 places no tap hole	1,673.07	35
188300	Satin finish 304 st st hyg hand washbasin 2 tapholes Ø22 & Ø30	679.40	69	454182	MINERALCAST wall mtd basin L1800 3 places Ø35 centre hole	1,793.82	35
2446LEPUK	EP sink mixer c-c 150, fixed spout L150, Hyg L., inline S/C	400.61	69	6110	HYGIÉNA waste with concave grid for basins, stainless steel	32.60	5/7
374001	Hypereco liquid soap dispenser 0.9L white ABS	76.23	67	6110BK	HYGIÉNA waste matte black with concave grid for st st basin	55.63	5/7
379ENC	BINOPTIC rec basin tap M3/8" spout L200 mains + trans	437.12	69	757118	Neck tube F1/2" for DELABIE DELTACERAM urinal	56.17	-
447100	TEMPOMATIC basin tap M3/8" 230/12V for panel 1-12mm no spout	503.40	86	757135	Neck tube F1/2" TEMPOSTOP TEMPOSOFT 2 for FINO urinal	51.77	51
453140	MINERALCAST wall mtd basin L1400 3 places Ø35 centre hole	1,989.30	35	757160	Neck tube F1/2" for DELABIE DELTA urinal before 04/2019	32.52	-
454001A	MINERALCAST mounting bracket H525	243.26	35	757162	Neck tube F1/2" for DELABIE DELTA urinal after 04/2019	64.48	53
454010	MINERALCAST mounting bracket H675	280.52	35	827032	Inlet socket union for squat WC Ø28/32	39.86	89
454120	MINERALCAST wall mtd basin L1200 2 places no tap hole	1,279.56	35	H9614P	SECURITHERM seq mixer st st BIOCLIP spout c-c 200 inline SC	581.50	69
454122	MINERALCAST wall mtd basin L1200 2 places Ø35 centre hole	1,360.01	35				

References prefixed by * are available while stocks last. References are listed in ascending alphanumeric order.

Unless otherwise agreed in writing these conditions constitute the only conditions upon which DELABIE UK Ltd. ("The Company") is willing to supply the goods specified.

The Company does not sell directly to members of the public:

-The price list is provided for guidance only and does not constitute a contract. The wholesalers and installers are free to determine their prices in accordance with current regulations, taking into account their costs, services and warranty costs they bear.

-The Terms and Conditions are valid for all wholesale customers.

For all other professionals (manufacturers, export, etc.) or for any special manufacturing request, please contact us.

ORDERS AND QUOTATIONS:

These will be processed in order of receipt.

We do not accept open orders or orders for call-off.

All orders sent imply acceptance of our general terms and conditions of sale and customers waive any claims that may arise from clauses in their own documentation which may differ.

The customer agrees to these terms from the moment that we receive the order, which cannot be cancelled. Orders are accepted without obligation to deliver the order in full in one delivery.

Our commercial representatives are not authorised to agree additional terms verbally, or to provide verbal guarantees beyond those provided in the written contract.

In the event of default or delayed payment, the Company will be entitled to suspend deliveries or cancel existing orders without any claim for damages from the customer.

In the event of a change in circumstances of the buyer, we reserve the right to cancel existing orders or to demand payment guarantees.

Our quotes do not amount to specifications; specifiers and professional installers are solely responsible for the choice of products according to their intended use, current regulations and recommended guidelines.

PRICE:

Deliveries are invoiced according to the conditions in place at the date of despatch. Prices are given without guarantee and they may be changed without notice subject to fluctuations in costs, VAT or other taxes, according to the prevailing economic conditions. Price increases will be announced one month prior to their application, and they apply to quotes and orders in hand.

Orders will be despatched free-of-charge for all deliveries within mainland UK, excluding express deliveries.

PAYMENTS:

Unless otherwise stated, prices quoted are ex-works and are exclusive of value added tax. All prices will be subject to any value added tax at the appropriate rate. Payment terms, subject to credit approval and prior agreement, are strictly 30 days from invoice date. According to individual credit conditions and/or insurance requirements The Company reserves the right to request payment in advance of despatch of goods on receipt of order. We do not give discounts for early payment.

The company understands and will exercise its statutory right to claim interest and compensation for debt recovery costs under the Late Payment of Commercial Debts (interest) Act 1998 legislation if invoices are not paid

according to agreed credit terms.

In the case of late payment a cash payment may be required, replacing existing conditions.

We will not accept any set-off, only our assets have a legal value.

DELIVERY TIMES:

Despatch dates are indicative only and we shall not be liable for any delay or failure in carrying out our obligations where the delay or failure to deliver is caused by risks of manufacturing or where the cause is beyond our control. Delivery delay will not give rise to compensation payment or goods rejection.

SHIPPING:

Orders are sent to our distributors. We do not deliver to site. The buyer assumes responsibility for carriage and packing costs for deliveries outside mainland UK. The carrier is solely responsible for their delivery, and in the event of delay, missing items, damage or other dispute, the customer must indicate this via the delivery driver's paperwork (either electronically or in hard copy) AND follow up with written notification sent by recorded delivery within 72 hours. A copy of this letter must be addressed to us.

CLAIMS:

No claim will be allowed where the delay in reporting exceeds 7 days following receipt of the goods.

The whole of the delivery cannot be rejected because of partial damages and shortages.

PROPERTY IN GOODS:

Notwithstanding any agreed terms of sale, the goods shall remain the property of the seller until payment is made in full. The failure to meet a payment deadline may result in the reclamation of these goods. The buyer assumes the risks of loss or damage, regardless of the means of delivery, as described in "DELIVERY TIMES" and "SHIPPING" above, as well as liability for the damage they might cause.

WARRANTY AND RESPONSIBILITY:

Our finished goods delivered after 1st January 2024 are warrantied against any manufacturing defect for a period of 30 years, including electronic controls, excluding other electrical accessories (e.g., hand dryers, etc.) which have a 3-year warranty from the invoice date. This does not apply to products with an expiry date. Spare parts have a one-year warranty.

This warranty is limited to replacement or repair of defective components as determined by our workshops in France but excludes the costs of spoilage, handling and carriage or compensation, whatever they are. We are not responsible for handling charges and the cost of returning products to our workshops.

Disasters or major water damage as a result of manufacturing defects are covered by our product and/or public liability insurance.

To invoke the warranty, the customer must immediately notify us in writing of the defects attributed to the product, specifying the conditions of use in place at the time of their discovery and provide us with all relevant material elements demonstrating the existence and nature of the defect.

Our warranty and responsibility does not include the following:

- installation that does not comply with the technical specification or current recommended guidelines;
- worn parts;
- non-compliance with installation, user and

maintenance guides;

- other factors independent of our products' quality, for example: detergents or abrasive cleaning products, the action of hard water, foreign bodies (e.g., gravel, sand, iron filings, scale, etc.), chemical and electrolytic phenomenon;

- lack of supervision, poor storage or poor maintenance;

- product modifications or actions by the customer, or a third party, without our authorisation using non-DELABIE components and/or consumable items.

- errors, carelessness, negligence or incorrect information from the client;

- products past their expiry date.

The water-tightness of connections, joints and the product housing is the responsibility of the professional responsible for installation, and must be guaranteed by them. Warranty excludes joints, valves, washers and rubber seals. However they would be supplied if the warranty application requires them. Any finishes other than chrome or nickel are also excluded from the warranty.

In the event that the product has been discontinued or manufacturing methods have changed and replacements are not available, similar alternative products will be offered. Replacement under warranty will not extend the duration of the original warranty.

The supplier's civil liability is excluded in all cases listed above. It is limited to compliance with the specifications and can only be initiated if the Customer has previously demonstrated the existence and extent of damage, a fault and the causal link between this fault and the damage.

It is limited to direct material damage, excluding all immaterial or indirect damage such as loss of operation, profit, opportunity, commercial damage, loss of profit.

The supplier's liability, for all causes except bodily injury and gross negligence, is limited to £650,000 per order or contract.

SPARE PARTS:

Spare parts and mechanisms that are essential to ensure the correct operation of our products will be held in stock for 50 years from the date of purchase. They are listed at the back of our catalogues.

RETURNS:

Goods may not be returned to us for credit without our prior written approval obtained by the buyer from the Company and they are received in a good state (determined by our goods inwards department). All transportation costs for returned goods must be paid by the buyer. Goods must be returned to our factory* with good protective packaging.

Deliveries less than a month old will be refunded at the invoiced price. For deliveries older than one month, a deduction will be made for checking, handling and administration costs. A repair and re-stocking fee will apply where appropriate.

Product returns are not permitted in the following circumstances: discontinued products, specially manufactured products, technical or aesthetic evolution of the product since the date of purchase, scratched or damaged products, products purchased more than one year previously, products with an expiry date. If sent to DELABIE, those products outside the scope of returns will be immediately destroyed/recycled, and will not be returned to the customer.

The schedule of standard deductions is as follows:

- return less than 1 month: refund at invoiced price
- return between 1 and 3 months: deduction of 15%
- return between 3 months and 1 year: deduction of 30%
- return after 1 year: no refund possible.
- return without prior agreement: additional deduction of 5% of the value of the goods with a minimum value of £50 excl. VAT.

* DELABIE S.A.S.

18, rue du Maréchal Foch
80130 Friville Escarbotin – FRANCE

CLEANING - MAINTENANCE:

Clean with slightly soapy water only, using a soft cloth or sponge, rinse and dry thoroughly. Do not use abrasive or chlorine-based products (with a hydrochloric acid base), or dyes.

PHOTOGRAPHS AND DRAWINGS:

All photos, drawings or illustrations are for illustrative purposes only, without contractual obligation, and may be subject to change without notice. We reserve the right to modify designs and dimensions without notice and without recourse. This applies to all references, dimensions, information contained in various documents, catalogues, installation guides, price lists and websites, which can be modified or discontinued at any time without notice.

INTELLECTUAL PROPERTY AND USE OF CONTENT:

The content (including but not limited to the information, text, graphics, data, images, photos, visuals, videos and soundtrack, and the format of all these elements and our catalogues, websites, etc.) are protected under copyright and/or other intellectual property. The contents are the sole property of their respective editors. Any copying, reproduction, use, adaptation, alteration, modification, translation, dissemination, complete or partial, of content, whether they belong to DELABIE UK Limited or a third party which has granted the rights to DELABIE UK Limited, by any means whatsoever, is illegal except for the limiting rights that are granted below, and/or private copying for the exclusive use of the copier. The content presented in our communication and business tools may be subject to change without notice and are provided without warranty of any kind, express or implied, and cannot give rise to any right to compensation. Protected content may be specifically identified by the following copyright notices: © or "All rights reserved".

The names and logos appearing in our catalogues and websites are registered trademarks. These distinctive marks are the exclusive property of DELABIE UK Limited or third parties who have granted the rights to DELABIE UK Limited. Any use, complete or partial reproduction, or imitation of these marks is prohibited without prior express consent of DELABIE UK Limited.

Alteration and modification of the contents or their use for any purpose other than that authorised, constitute an infringement of DELABIE UK Limited's, or a third party's, property rights. With the following limitations, DELABIE UK Limited grants you the right to download and distribute the content:

- where the download function exists
- for non-commercial purposes
- in good faith
- for maintaining the proprietary notices intact, and for the publication or posting of existing

content online, if such information is stated. This right should in no way be interpreted as a trademark or copyright license for the aforementioned content.

PERSONAL DATA PROTECTION:

In line with the General Data Protection Regulation (GDPR), DELABIE is doing everything necessary to limit to a bare minimum the collection of personal data, and its conservation and ensure its protection.

DELABIE only uses this data for its own use for purposes of information and commercialisation of its products. It is not, under any circumstances, given to third parties.

The right of access, rectification, removal and opposition to the processing in addition to the limitation and transferability of your data is possible on request to our Data Protection Officer (DPO) at DELABIE via email (dpo@delabie.fr) or recorded delivery with a photocopy of a photo ID to the following address: DELABIE, Henderson House, Hithercroft Road, Wallingford, OX10 9DG.

To improve our services and for training purposes, calls to DELABIE may be recorded. These recordings will not be retained, and will be systematically deleted within a maximum period of 48 hours.

TERRITORIAL EXCLUSIVITY:

Our wholesalers are authorised to sell in the UK and its offshore territories. For all other countries, the Company has entered into exclusive agreements with import and distribution companies.

In this context, our UK customers cannot sell our products outside their national borders unless they have express agreement from us.

JURISDICTION:

These terms of business are governed by English and Welsh law. Acceptance of an order in stock constitutes a contract under English and Welsh law. All disputes arising from the contract in connection with these terms shall be subject to the exclusive jurisdiction of the English Court, even if there is an appeal and there are multiple defendants, and regardless of the delivery location or stipulated payment. The Company may vary these terms of business from time to time by giving you reasonable written notice. All clauses to the contrary will be considered void by the mere fact of having dealt with our company.

AVAILABLE CATALOGUES:

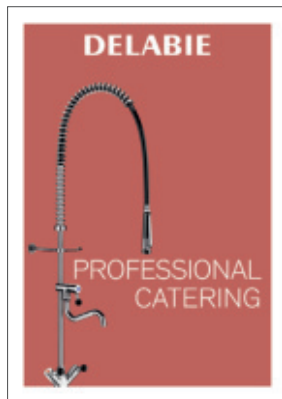
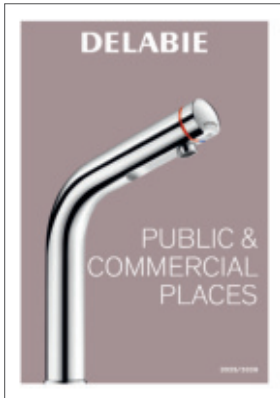
DOC 609UK: Water Controls for Public and Commercial Places

DOC 900UK: Water Controls for Healthcare Facilities and Retirement Homes

DOC 950UK: Accessibility and Independence - Hygienic Accessories for Public and Commercial Places

DOC 750UK: Stainless Steel Sanitary Ware

DOC 200UK: Water Controls for Professional Catering



DELABIE

Delabie UK Ltd
Reg No: 1764854 England
Reg Office: Henderson House
Hithercroft Road, Wallingford, Oxon
OX10 9DG



UK RECOMMENDED PRICE EXCL. VAT
FROM 01/01/2025 TO 31/12/2025

These prices may be subject to change



delabie.co.uk



3 456330 159265
This document was printed on paper certified PEFC (PEFC/10-32-3010)

DOC 750UK - 11/2024